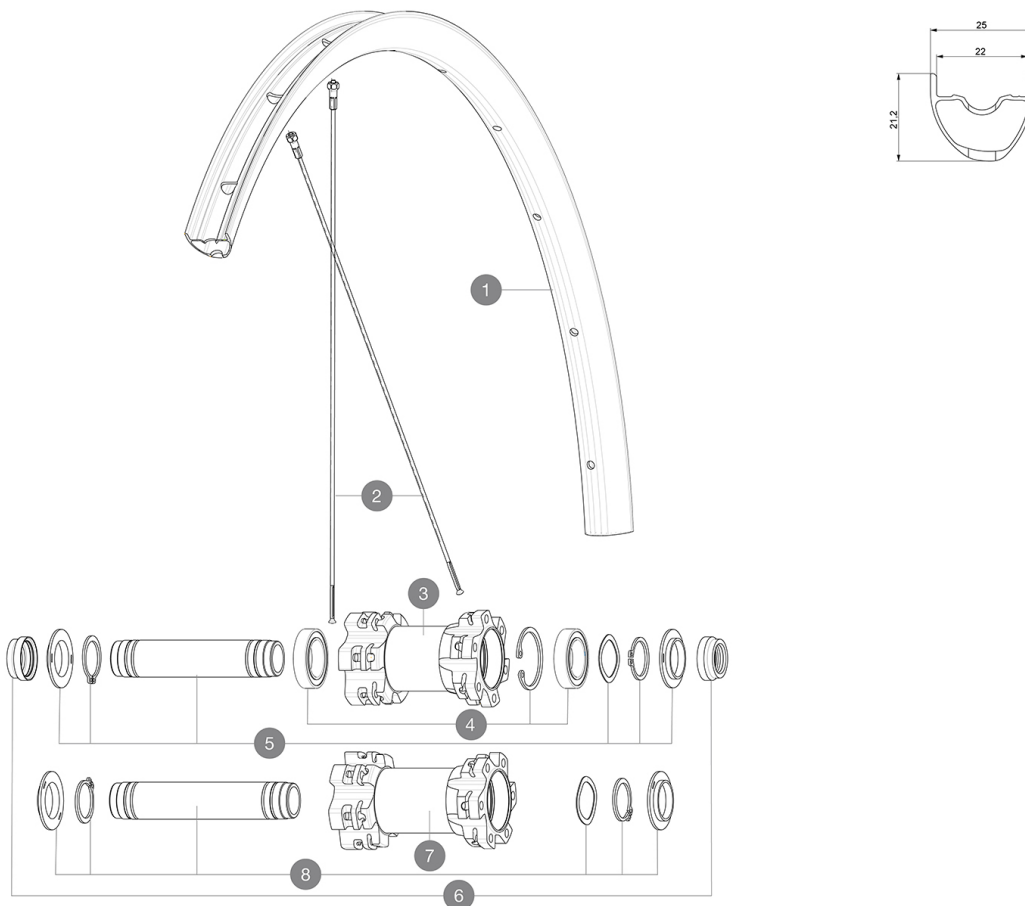


ASTM CATEGORY 3 : CROSS COUNTRY AND TRAIL RIDING

For a longer longevity of the wheel, Mavic recommends that the total weight supported by the wheels don't exceed 120kg, bike included

## REFERENCES WHEELS

F73291	Xmx29Ft	P86381	Crossmax 29 Pr Bst
F73741	Xmx29FtBst	P86601	Crossmax29PrBstXD



## RIMS



&NBSP;:

1	V2317915	KIT FRONT/REAR RIM CROSSMAX 29" 22TSS
	V2620101	UST RIM TAPE 25mm (for 21-24mm wide rim)

## SPOKES

2	36690301	"KIT 12 FT/NDS XONE/XMAX - XA 29"/AKSIUM DISC 9 + 12 FT/AKS
---	----------	---

## HUB SHELLS

3	N/A	HUB BODY
4	99688501	BEARING KIT 9/12/15 D6T HUB 20x32x7 6804
5	V2371901	KIT FRONT AXLE MTB L1 QRM AUTO 15x100mm
7	N/A	HUB BODY
8	V2372001	KIT FRONT AXLE MTB L1 QRM AUTO BOOST 15x110mm

## ADAPTERS

6	V2390801	KIT 2 FORK RESTS FRONT AXLE MTB QRM AUTO
	99694101	ADAPTER Ft 15 to 9mm QR

**DELIVERED WITH**

UST valve and accessories (129 838 01)	
Tubeless rim tape	
User guide	

**COMPATIBILITY**

Freewheel: Shimano/Sram or XD	
Front axle: convertible from 15mm thru axle to Quick Release with optional adapters	
Rear axle: 12mm thru axle, convertible to Quick Release with optional adapters	

**Specifications****RIMS**

- **Material** : S6106 alloy
  - **Joint** : SUP
  - **Drilling** : traditional
  - **Valve hole diameter** : 6.5 mm
  - **Tyre** : UST Tubeless and tubetype
  - **Internal width** : 22 mm
  - **ETRTO size 27.5"** : 584x22TSS
  - **ETRTO size 29"** : 622x22TSS
- Use with Mavic Tubeless Tape

**SPOKES**

- **Material** : steel
- **Shape** : straight pull, round
- **Count** : 24 front and rear
- **Lacing** : front and rear crossed 2

**WHEEL HUB**

- **Front and rear bodies** : aluminum
- **Axle material** : aluminum
- **Front bearings** : auto adjust sealed cartridge bearings (QRM Auto), Rear bearings sealed cartridge bearings (QRM)
- **Freewheel** : TS-2 alloy

**VERSIONS**

- **Color** : Black only
- **Disc standard** : 6 Bolts only
- **Hub width** : Boost (front 110, rear 148) or Non-Boost (front 100, rear 135/142)

**WHEEL WEIGHTS**