

ASTM CATEGORY 3 : CROSS COUNTRY AND TRAIL RIDING

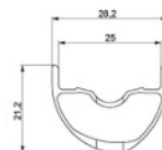
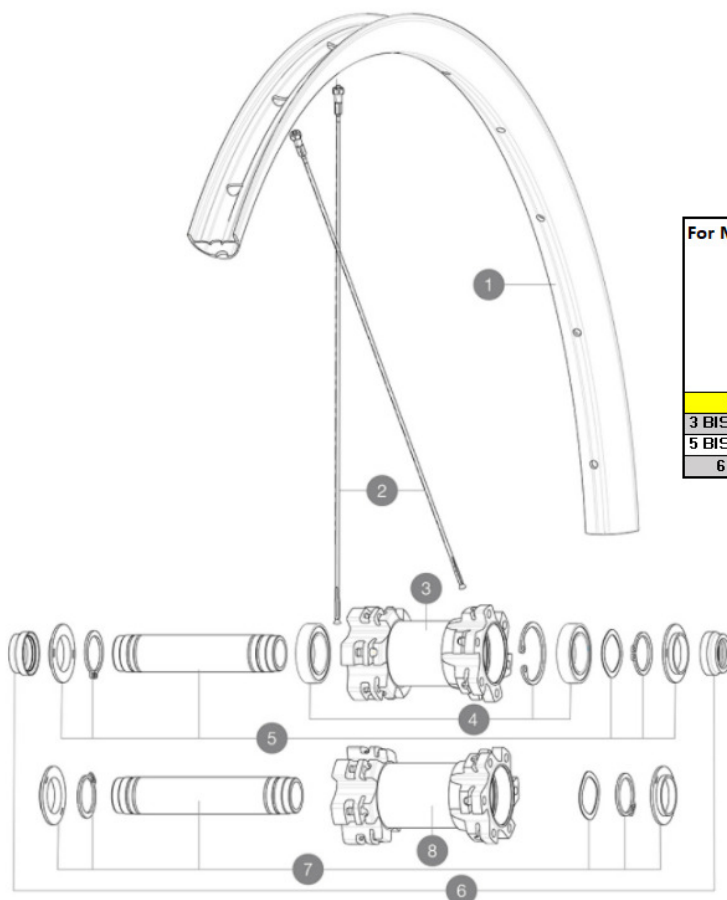
For a longer longevity of the wheel, Mavic recommends that the total weight supported by the wheels don't exceed 120kg, bike included

Recommended tyre sizes: 46mm to 64mm (1.8" to 2.5")

REFERENCES WHEELS

F73331 Xa29Ft

F73821 Xa29FIBst



For Monobloc Hub Only



N°	PARTS	REFERENCE	REFERENCE BOOST
3 BIS / 8 BIS	HUB BODY	N/A	N/A
5 BIS / 7 BIS	AXLE	V2372301	V2372401
6 BIS	ADAPTORS	V2372501	

RIMS



&NBSP;:

1	V2318315	KIT FRONT/REAR RIM XA/XA LIGHT 29" 25TSS
	V2700101	UST Tape 28mm for 25 to 27mm wide rims

SPOKES

2	36690301	"KIT 12 FT/NDS XONE/XMAX - XA 29"/AKSIUM DISC 9 + 12 FT/AKS
---	----------	---

HUB SHELLS

	N/A	HUB BODY
4	99688501	BEARING KIT 9/12/15 D6T HUB 20x32x7 6804
5	V2371901	KIT FRONT AXLE MTB L1 QRM AUTO 15x100mm
	V2372301	KIT 100mm AXLE QRM AUTO MTB > 2019
7	V2372001	KIT FRONT AXLE MTB L1 QRM AUTO BOOST 15x110mm
	V2372401	KIT 110mm AXLE QRM AUTO MTB > 2019
	N/A	HUB BODY

ADAPTERS

6	V2390801	KIT 2 FORK RESTS FRONT AXLE MTB QRM AUTO
	V2372501	15mm MTB Axle Cap QRM Auto From 2019

DELIVERED WITH

UST valve and accessories (129 838 01)	
Tubeless rim tape	
User guide	

COMPATIBILITY

Freewheel: Shimano/Sram or XD	
Front axle: convertible from 15mm thru axle to Quick Release with optional adapters	
Rear axle: 12mm thru axle, convertible to Quick Release with optional adapters	

Specifications

RIMS

- **Material** : S6106 alloy
- **Joint** : SUP
- **Drilling** : traditional
- **Valve hole diameter** : 6.5 mm
- **Tyre** : UST Tubeless and tubetype
- **Internal width** : 25 mm
- **ETRTO size 27.5"** : 584x25TSS
- **ETRTO size 29"** : 622x25TSS

Hookless profile

Use with Mavic Tubeless Tape

SPOKES

- **Material** : steel
- **Shape** : straight pull, round
- **Count** : 24 front and rear
- **Lacing** : front and rear crossed 2

WHEEL HUB

- **Front and rear bodies** : aluminum
- **Axle material** : aluminum
- **Front bearings** : auto adjust sealed cartridge bearings (QRM Auto), Rear bearings sealed cartridge bearings (QRM)
- **Freewheel** : TS-2 alloy

VERSIONS

- **Disc standard** : 6 Bolts only
- **Hub width** : Boost (front 110, rear 148) or Non-Boost (front 100, rear 135/142)

WHEEL WEIGHTS