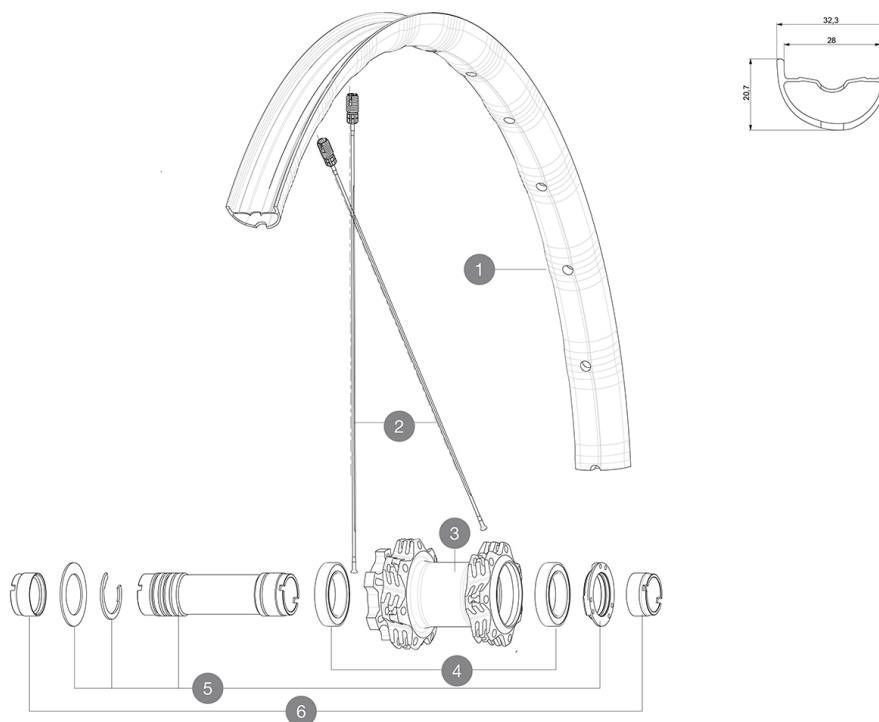


ASTM CATEGORY 5 : GRAVITY RIDING FOCUSED ON THE DESCENT
Recommended tyre sizes: 50mm to 76mm (2.0" to 3.0")

REFERENCES WHEELS

P84751 DmxDH27,518Pr

F73371 DmxDH1827,5Ft



RIMS



&NBSP::

1 V2318810 KIT FRONT RIM DEEMAX DH 27,5"

SPOKES

2 V2385801 KIT 14 FRONT BUTTED FLAT SPOKES 285mm

HUB SHELLS

3 N/A HUB BODY
4 M40179 FRONT BEARING 25x37x7 20mm AXLE
5 30870501 FRONT AXLE 20mm CROSSMAX + DEEMAX ULTI 2012

ADAPTERS

6 12982901 ADAPTER Ft 20x110mm
12982801 ADAPTER Ft 20 to 15mm
12982701 ADAPTER Ft 20 to 9mm QR incl.

DELIVERED WITH

UST valve and accessories (129 838 01)	
UST valve and accessories (129 838 01)	
Multifunction adjustment wrench (325 423 01)	
Multifunction adjustment wrench (325 423 01)	
User guide	
User guide	

COMPATIBILITY

Freewheel: Shimano/Sram or XD	
Freewheel: Shimano/Sram or XD	
Front axle: 20mm, convertible to 15mm thru axle with optional adapters	
Front axle: 20mm, convertible to 15mm thru axle with optional adapters	
Rear axle : 12x157mm, convertible to 12x150 with optional adapters	
Rear axle : 12x157mm, convertible to 12x150 with optional adapters	
Freewheel: Shimano Micro Spline	

Specifications**RIMS**

- **Material** : Maxtal
 - **Material** : Maxtal
 - **Joint** : SUP
 - **Joint** : SUP
 - **Drilling** : Fore
 - **Drilling** : Fore
 - **Weight reduction** : ISM 4D
 - **Weight reduction** : ISM 4D
 - **Valve hole diameter** : 6.5 mm
 - **Valve hole diameter** : 6.5 mm
 - **Tyre** : UST Tubeless and tubetype
 - **Tyre** : UST Tubeless and tubetype
 - **Internal width** : 28 mm
 - **Internal width** : 28 mm
- Hookless profile
Hookless profile
- **ETRTO size 27.5"** : 584x28TSS
 - **ETRTO size 27.5"** : 584x28TSS

SPOKES

- **Material** : steel
- **Material** : steel
- **Shape** : straight pull, flat rear and flat, double butted front
- **Shape** : straight pull, flat rear and flat, double butted front
- **Nipples** : Fore integrated aluminum
- **Nipples** : Fore integrated aluminum
- **Count** : 28 front and rear
- **Count** : 28 front and rear
- **Lacing** : front and rear crossed 3
- **Lacing** : front and rear crossed 3

WHEEL HUB

- **Front and rear bodies** : aluminum
- **Front and rear bodies** : aluminum
- **Axle material** : aluminum
- **Axle material** : aluminum
- **Front bearings** : adjustable sealed cartridge bearings (QRM+), Rear bearings auto adjust sealed cartridge bearings (QRM Auto)
- **Front bearings** : adjustable sealed cartridge bearings (QRM+), Rear bearings auto adjust sealed cartridge bearings (QRM Auto)
- **Freewheel** : ITS-4 QRM Auto alloy
- **Freewheel** : ITS-4 QRM Auto alloy

VERSIONS

- **Color** : Black only
- **Disc standard** : 6 Bolts only
- **Disc standard** : 6 Bolts only
- **Freewheel** : Shimano/Sram or XD

WHEEL WEIGHTS

850