

ASTM CATEGORY 1 : road only

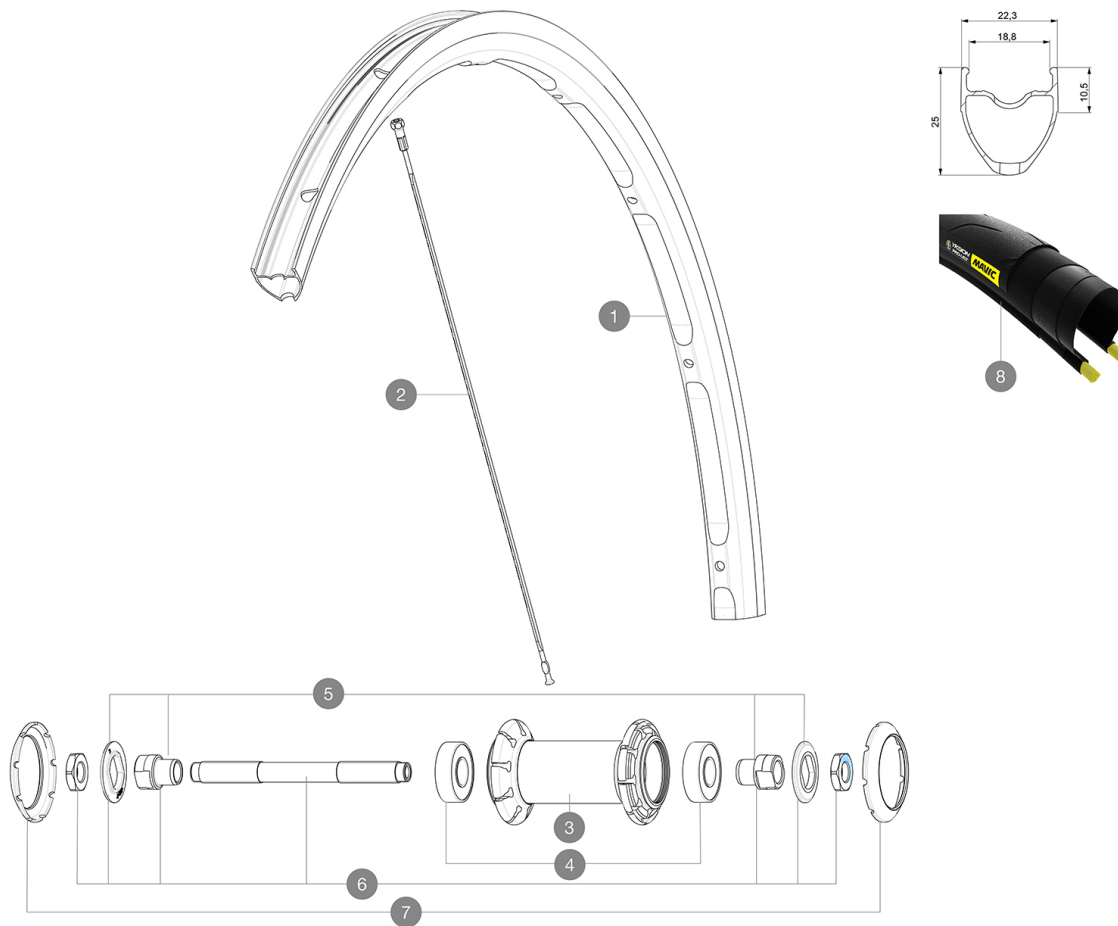
For a longer longevity of the wheel, Mavic recommends that the total weight supported by the wheels don't exceed 120kg, bike included

Recommended tyre sizes: 25 to 32 mm

Max. Pressure: 23mm 8.7 bars - 125 psi, 25/28mm 7.7 bars - 110 psi

REFERENCES WHEELS

F81321 Ksyrium UST Ft



RIMS



&NBSP;:

1	V2735110 V3720101	KIT FRONT RIM KSYRIUM UST 25mm UST Tape for 19 to 22mm Road Rims
---	----------------------	---

SPOKES

2	V3664701	KIT 10 FRT/NDS AKSIUM ELITE UST FLAT SPOKE 282mm + nipple
---	----------	---

HUB SHELLS


4	M40318	KIT 2 HUB BEARINGS 6001
5	99603801	SHORT EXPENSIBLE BEARING SUPPORTS > 2008
6	99603701	FRONT AXLE QRM ROAD 2008
7	V2375101	KIT 3 HUB CAPS AERO 9 SLOTS BLACK

TYRES

8	39938825	Yksion Pro UST 700x25
---	----------	-----------------------

MAVIC Ksyrium UST

DELIVERED WITH

Mavic tyre sealant (rear wheel) (355 466 01)	
Tyre sealant syringe	
BR101 quick releases (M40350 frt, M40351 rear road, M40352 rear MTB)	
UST valve and accessories (129 838 01)	
Tubeless rim tape	
User guide	

COMPATIBILITY

Freewheel: Shimano/Sram, convertible to Campagnolo with optional driver body	
Front axle: Quick Release only	
Rear axle: Quick Release only	

Specifications

RIMS

- **Material** : Mxxtal
 - **Height** : 25mm
 - **Joint** : SUP
 - **Drilling** : traditional
 - **Brake track** : UB Control
 - **Weight reduction** : ISM
 - **Valve hole diameter** : 6.5 mm
 - **Tyre** : UST Tubeless and tubetype
 - **Internal width** : 19 mm
 - **ETRTO size** : 622x19TC Road
- Use with Mavic Tubeless Tape

SPOKES

- **Material** : steel
- **Shape** : straight pull, flat, double butted
- **Nipples** : steel, ABS
- **Count** : front 18, rear 20
- **Lacing** : radial front and rear non-drive side, crossed 2 rear drive side

WHEEL HUB

- **Front and rear bodies** : aluminum
 - **Axle material** : steel
- Sealed cartridge bearings (QRM)
- **Freewheel** : FTS-L steel

WHEEL WEIGHTS

755