

# MAVIC Crossmax Pro Carbon

1  
2019  
FRONT

## ASTM CATEGORY 3 : CROSS COUNTRY AND TRAIL RIDING

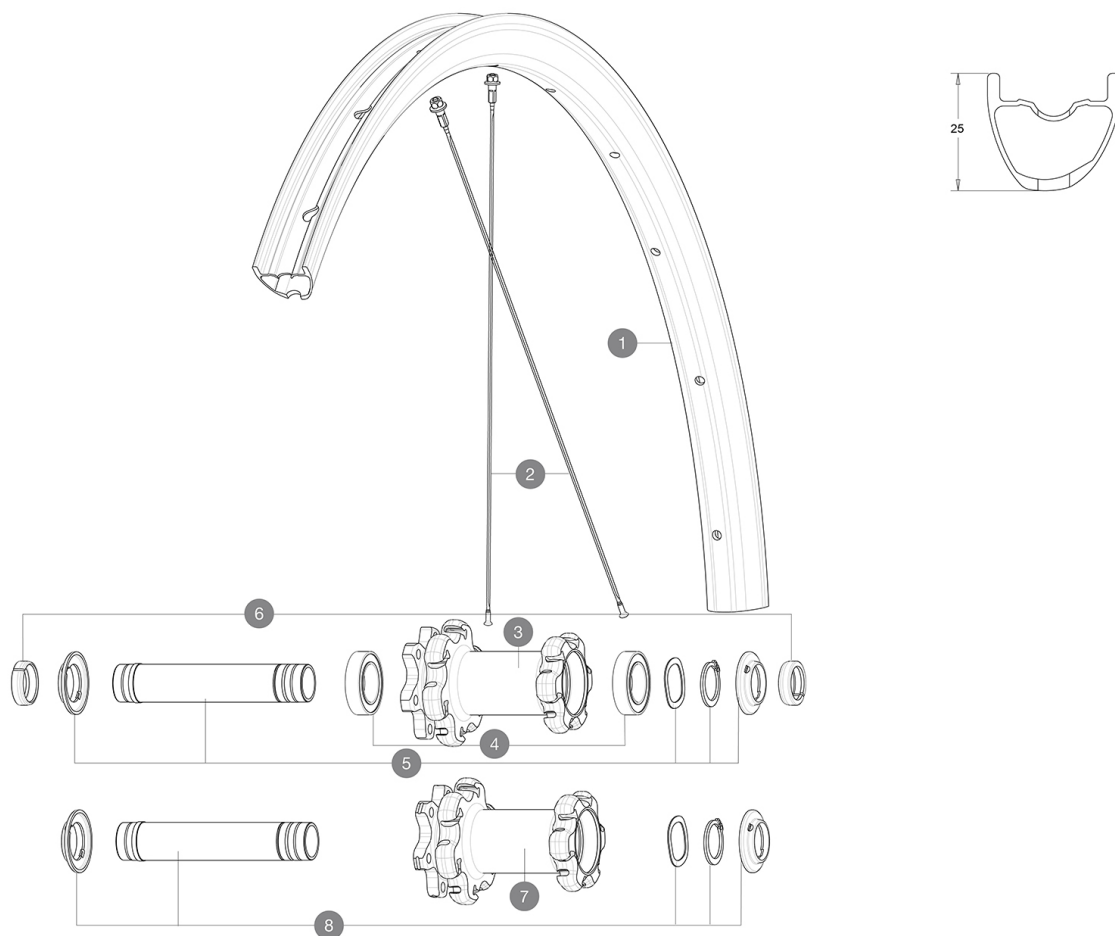
For a longer longevity of the wheel, Mavic recommends that the total weight supported by the wheels don't exceed 120kg, bike included

Recommended tyre sizes: 46mm to 64mm (1.8" to 2.5") front and 36 mm to 64 mm (1.4" to 2.5") rear

## REFERENCES WHEELS

F81161 XmaxProCarb 27,5 19 Ft Boost

F81151 XmaxProCarb 27,5 19 Ft



## RIMS



&NBSP;:

|   |          |  |
|---|----------|--|
| 1 | V3763810 | KIT FRONT RIM CROSSMAX PRO CARBON 27,5" 19 |
|   | V2700101 | UST Tape 28mm for 25 to 27mm wide rims     |

## SPOKES

|   |          |  |
|---|----------|--|
| 2 | V3821701 | KIT 12 FRT/REAR CROSSMAX PRO CARBON 27,5" EXTRA FLAT SPOKE |
|---|----------|--|

## HUB SHELLS

|   |          |  |
|---|----------|--|
| 3 | N/A      | HUB BODY                                   |
| 4 | V2500901 | KIT BEARINGS 18x30x7 + WAVED WASHER + CLIP |
| 5 | V2372301 | KIT 100mm AXLE QRM AUTO MTB > 2019         |
| 7 | N/A      | HUB BODY                                   |
| 8 | V2372401 | KIT 110mm AXLE QRM AUTO MTB > 2019         |

## OPTIONS


|          |   |
|----------|---|
| V2374401 | TORQUE CAPS 15*31 Adapter MTB QRM Auto > 2019 Frt HUB |
|----------|---|

## ADAPTERS

|   |          |                                      |
|---|----------|--------------------------------------|
| 6 | V2372501 | 15mm MTB Axle Cap QRM Auto From 2019 |
|   | 99694101 | ADAPTER Ft 15 to 9mm QR              |

# MAVIC Crossmax Pro Carbon

## DELIVERED WITH

|   |   |
|---|---|
| Front QR adapters (non-boost wheel)             |   |
| Rear QR adapters (non-boost wheel)              |   |
| UST valve and accessories<br>(129 838 01)       |  |
| Tubeless rim tape                               |   |
| Multifunction adjustment wrench<br>(325 423 01) |   |
| User guide                                      |   |

## COMPATIBILITY

|   |  |
|---|--|
| Freewheel: Shimano/Sram or XD   |  |
| Front axle: convertible from 15mm thru axle to Quick Release with adapters (delivered with non-boost wheel) |  |
| Rear axle: 12mm thru axle, convertible to Quick Release with adapters (delivered with non-boost wheel)      |  |
| Freewheel: Shimano Micro Spline   |  |

## Specifications

### RIMS

- **Material** : 100% Unidirectional carbon fiber
- **Drilling** : traditional
- **Valve hole diameter** : 6.5 mm
- **Tyre** : UST Tubeless and tubetype
- **Internal width** : 23 mm
- **ETRTO size 27.5"** : 584x23TSS
- **ETRTO size 29"** : 622x23TSS

Hookless profile

Use with Mavic Tubeless Tape

### SPOKES

- **Material** : steel
- **Shape** : straight pull, flat, double butted
- **Count** : 24 front and rear
- **Lacing** : front and rear crossed 2

### WHEEL HUB

- **Front and rear bodies** : aluminum
- **Axle material** : aluminum
- Auto adjust sealed cartridge bearings (QRM Auto), front and rear
- **Freewheel** : Instant Drive 360

### VERSIONS

- **Disc standard** : 6 Bolts only
- **Hub width** : Boost (front 110, rear 148) or Non-Boost (front 100, rear 135/142)
- **Freewheel** : Shimano/Sram or XD

### WHEEL WEIGHTS

Weight Front 27.5": 680  
Weight Front 29": 700