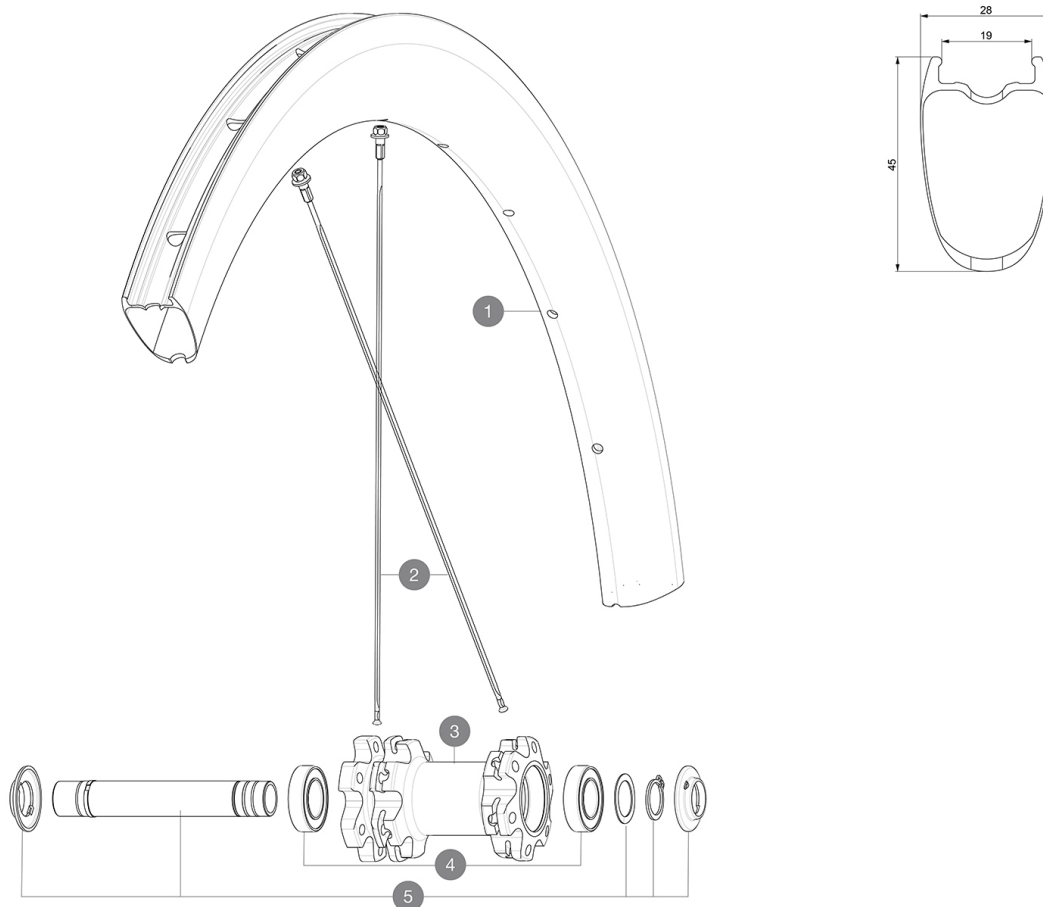


Max. Pressure: see indication on wheel and tyre. If they differ, use the lower of the 2

REFERENCES WHEELS

F86951 CosPCUST D6B EBM20 Ft



RIMS



&NBSP;:

| | | |
|----------|----------|---|
| 1 | V4092815 | Kit Front/Rear rim Cosmic SL 45 Disc |
| 1 | V2736210 | KIT FRONT RIM COSMIC PRO CARBON UST Disc - while stock last |
| | V2620101 | UST RIM TAPE 25mm (for 21-24mm wide rim) |

SPOKES

| | | |
|----------|----------|--|
| 2 | V3665901 | KIT 12 FRT/NDS COSMIC PRO CARBON UST Disc SPOKE 273 + nipple |
| 2 | V4161201 | Kit 12 Front/Rear non Drive Side Stainless Spokes 273 Cosmic |

HUB SHELLS

| | | |
|----------|----------|-------------------------------------|
| 3 | N/A | HUB BODY |
| 4 | M40129 | KIT 2 BEARINGS 6902 15x28x7 |
| 5 | V2373301 | KIT QRM AUTO FRONT AXLE 12mm > 2019 |



Cosmic Pro Carbon UST EBM

Specifications

WHEEL WEIGHTS