

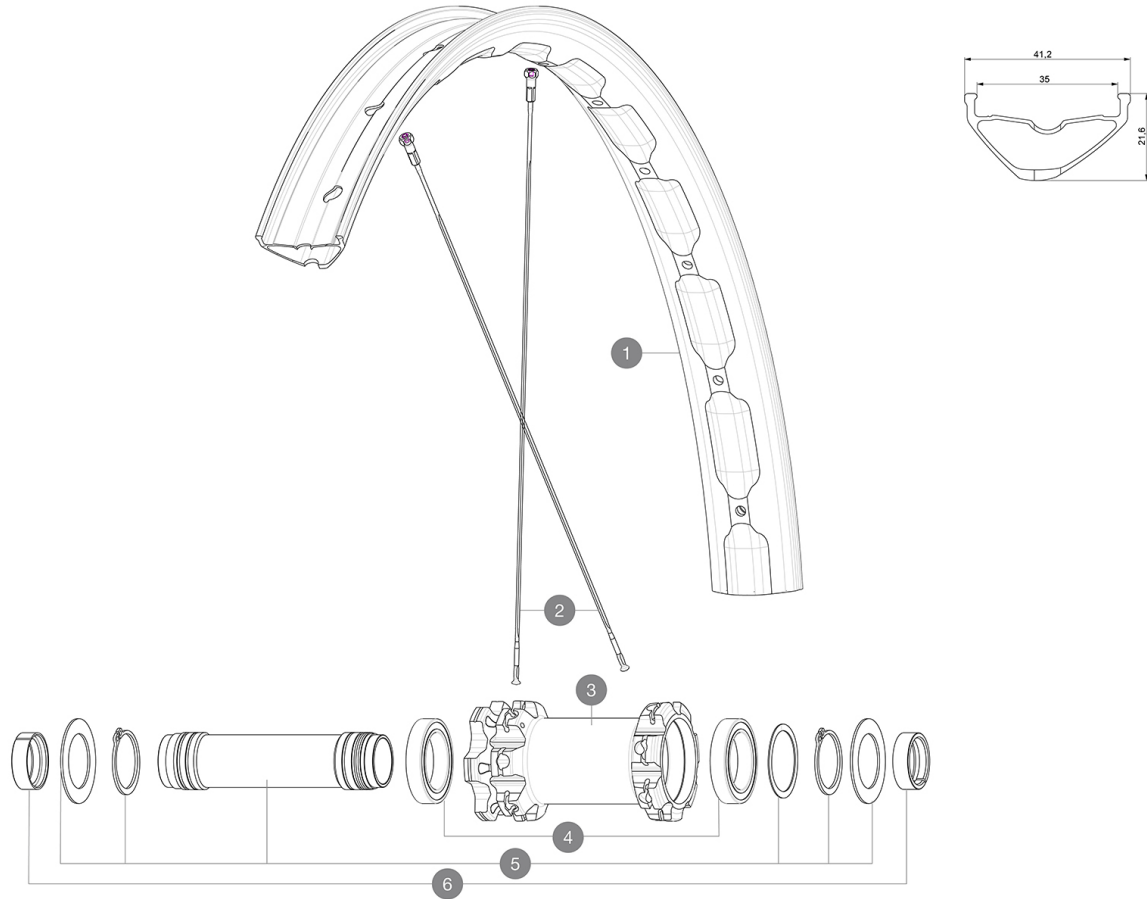
ASTM CATEGORY 4 : ENDURO AND TRAIL RIDING

For a longer longevity of the wheel, Mavic recommends that the total weight supported by the wheels don't exceed 150kg, bike included

Recommended tyre sizes: 65mm to 81mm (2.5" to 3.2")

REFERENCES WHEELS

F87231 E-XA35 Elite 27,5 Ft Boost



RIMS



&NBSP;:

1	janteavarvttdisc V3710101	FRONT/REAR MTB DISC RIM 40mm UST Tape For 35mm Wide Rims
---	------------------------------	-------------------------------------------------------------

SPOKES

2	V3820701	KIT 14 FRONT DEEMAX ELITE/E-XA ELITE 19 27,5" FLAT BUTTED S
---	----------	-------------------------------------------------------------

HUB SHELLS

3	N/A	HUB BODY
4	M40179	FRONT BEARING 25x37x7 20mm AXLE
5	V2373701	KIT 20x110mm BOOST AXLE QRM AUTO MTB > 2019


OPTIONS

V2650401	TORQUECAP20*31 FT QRM AUTO MTB
----------	--------------------------------

ADAPTERS

6	V2680401 12982801	20x110 BOOST Front Adapter MTB wheels ADAPTER Ft 20 to 15mm
---	----------------------	----------------------------------------------------------------

DELIVERED WITH

UST valve and accessories (129 838 01)	
Specific disc bolts (308 719 01)	
Tubeless rim tape	
Replacement spokes (2 with the front wheel and 4 with the rear)	

COMPATIBILITY

Freewheel: Shimano/Sram or XD	
Front axle: 15mm, convertible to 20mm thru axle with included adapters	
Rear axle: 12mm thru axle, convertible to Quick Release with optional adapters	
Freewheel: Shimano Micro Spline	

Specifications

RIMS

- **Material** : Mxxtal
 - **Joint** : SUP
 - **Drilling** : traditional
 - **Weight reduction** : ISM 4D
 - **Valve hole diameter** : 6.5 mm
 - **Tyre** : UST Tubeless and tubetype
 - **Internal width** : 35 mm
 - **ETRTO size 27.5"** : 584x35TC
- Use with Mavic Tubeless Tape

SPOKES

- **Material** : steel
- **Shape** : straight pull, flat, double butted
- **Count** : 28 front and rear
- **Lacing** : front and rear crossed 3

WHEEL HUB

- **Front and rear bodies** : aluminum
 - **Axle material** : aluminum
- Auto adjust sealed cartridge bearings (QRM Auto), front and rear
- **Freewheel** : Instant Drive 360
 - **Freewheel** : Instant Drive 360 steel

VERSIONS

- **Color** : Black only
- **Disc standard** : 6 Bolts only
- **Hub width** : Boost only (front 110, rear 148)
- **Freewheel** : Shimano/Sram or XD

WHEEL WEIGHTS

940