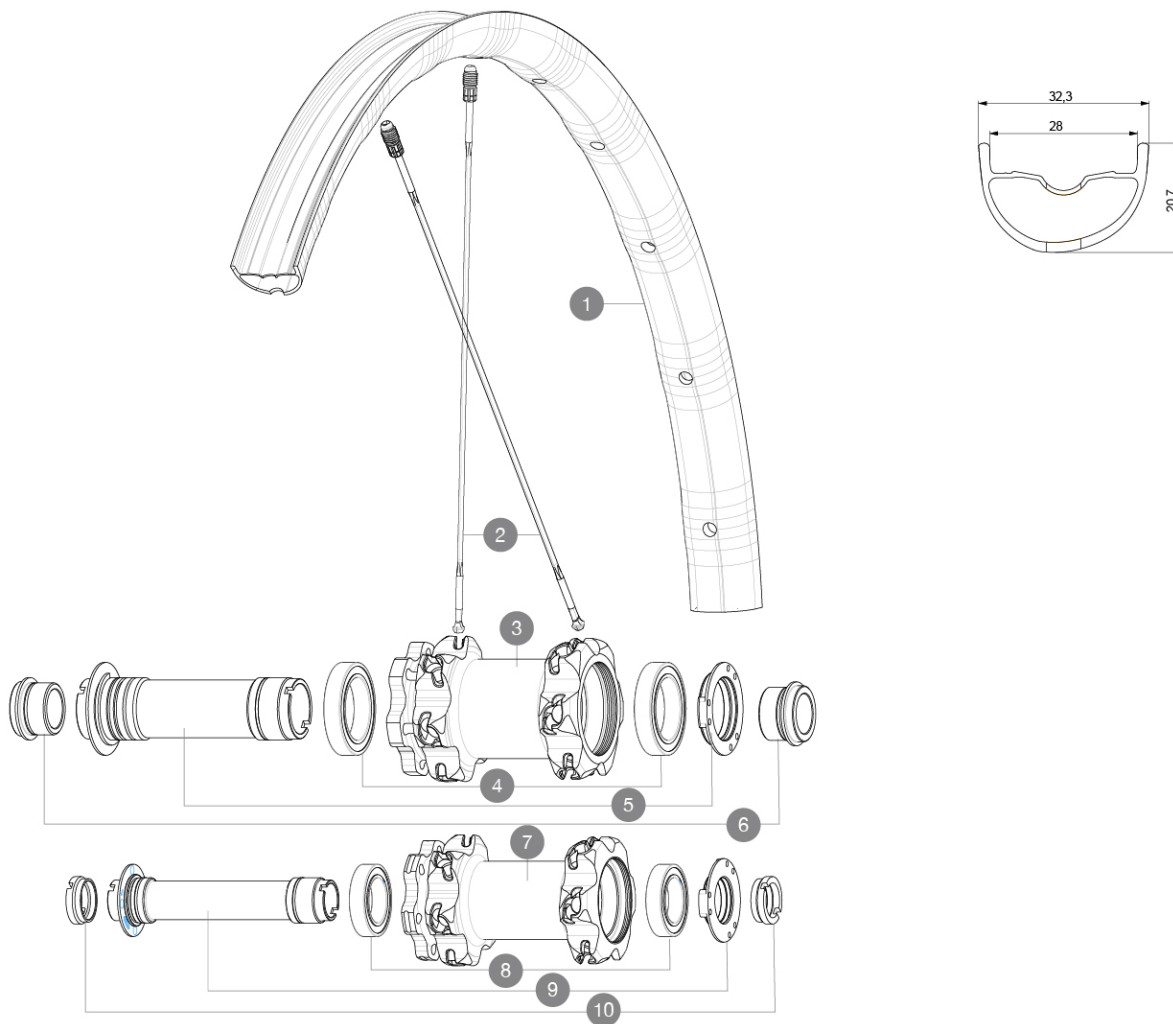


ASTM CATEGORY 4 : ENDURO AND TRAIL RIDING

For a longer longevity of the wheel, Mavic recommends that the total weight supported by the wheels don't exceed 120kg, bike included
 For a longer longevity of the wheel, Mavic recommends that the total weight supported by the wheels doesn't exceed 150kg, bike included
 Maximum tyre pressure: 2.55bar/37PSI with a 54mm tyre - 1.3bar/19PSI with a 125mm tyre
 Recommended tyre sizes: 46mm to 64mm (1.8" to 2.5")

REFERENCES WHEELS

| | | | |
|--------|-----------------------------|--------|--------------------------|
| R35961 | DEEMPRO SH INT 29 12X142 XD | F89751 | DEEMPRO SH INT 29 15x100 |
| F89101 | DEEMPRO SH INT 29 BST | | |



RIMS



&NBSP;:

| | | |
|---|----------|---------------------------------|
| 1 | V3764610 | KIT FRONT RIM DEEMAX PRO SH 29" |
|---|----------|---------------------------------|

SPOKES

| | | |
|---|----------|---|
| 2 | A7209901 | KIT 12 FT/NDS CROSSMAX XL/DEEMAX PRO 19 29" SPK 293mm |
|---|----------|---|

HUB SHELLS

| | | |
|---|----------|---|
| 3 | N/A | HUB BODY |
| 4 | M40179 | FRONT BEARING 25x37x7 20mm AXLE |
| 5 | 30870501 | FRONT AXLE 20mm CROSSMAX + DEEMAX ULTI 2012 |
| 7 | N/A | HUB BODY |
| 8 | 99688501 | BEARING KIT 9/12/15 D6T HUB 20x32x7 6804 |
| 9 | V2370701 | KIT FRONT QRM+ AXLE BOOST INTL 110mm |





OPTIONS

| | |
|----------|--|
| V2650201 | ADAPTER Front Torque Cap 15x31 MTB QRM + |
|----------|--|

ADAPTERS

| | | |
|----|----------|-------------------------------|
| 6 | 12982801 | ADAPTER Ft 20 to 15mm |
| 10 | B4104401 | ADAPTER Ft 15mm QRM+ |
| | 12982901 | ADAPTER Ft 20x110mm |
| | 12982701 | ADAPTER Ft 20 to 9mm QR incl. |
| | B4104301 | ADAPTER Ft 9mm QR QRM+ |

DELIVERED WITH

| | |
|---|---|
| UST valve and accessories (129 838 01) |  |
| UST valve and accessories (129 838 01) |  |
| UST valve and accessories (129 838 01) |  |
| UST valve and accessories (129 838 01) |  |
| Specific disc bolts (308 719 01) | |
| Specific disc bolts (308 719 01) | |
| Specific disc bolts (308 719 01) | |
| Specific disc bolts (308 719 01) | |
| Multifunction adjustment wrench (325 423 01) | |
| Multifunction adjustment wrench (325 423 01) | |
| Multifunction adjustment wrench (325 423 01) | |
| Multifunction adjustment wrench (325 423 01) | |
| Replacement spokes (2 with the front wheel and 4 with the rear) | |
| User guide | |
| User guide | |
| User guide | |
| User guide | |
| Sram XD (on the wheel) and Shimano HG freewheel bodies | |

COMPATIBILITY

| | |
|--|--|
| Freewheel: Shimano/Sram or XD | |
| Rear axle: 12mm thru axle, convertible to Quick Release with optional adapters | |
| Rear axle: 12mm thru axle, convertible to Quick Release with optional adapters | |
| Rear axle: 12mm thru axle, convertible to Quick Release with optional adapters | |
| Freewheel: Shimano Micro Spline | |
| Freewheel: Shimano Micro Spline | |
| Freewheel: Shimano/Sram or XD (both delivered with the wheel) | |