

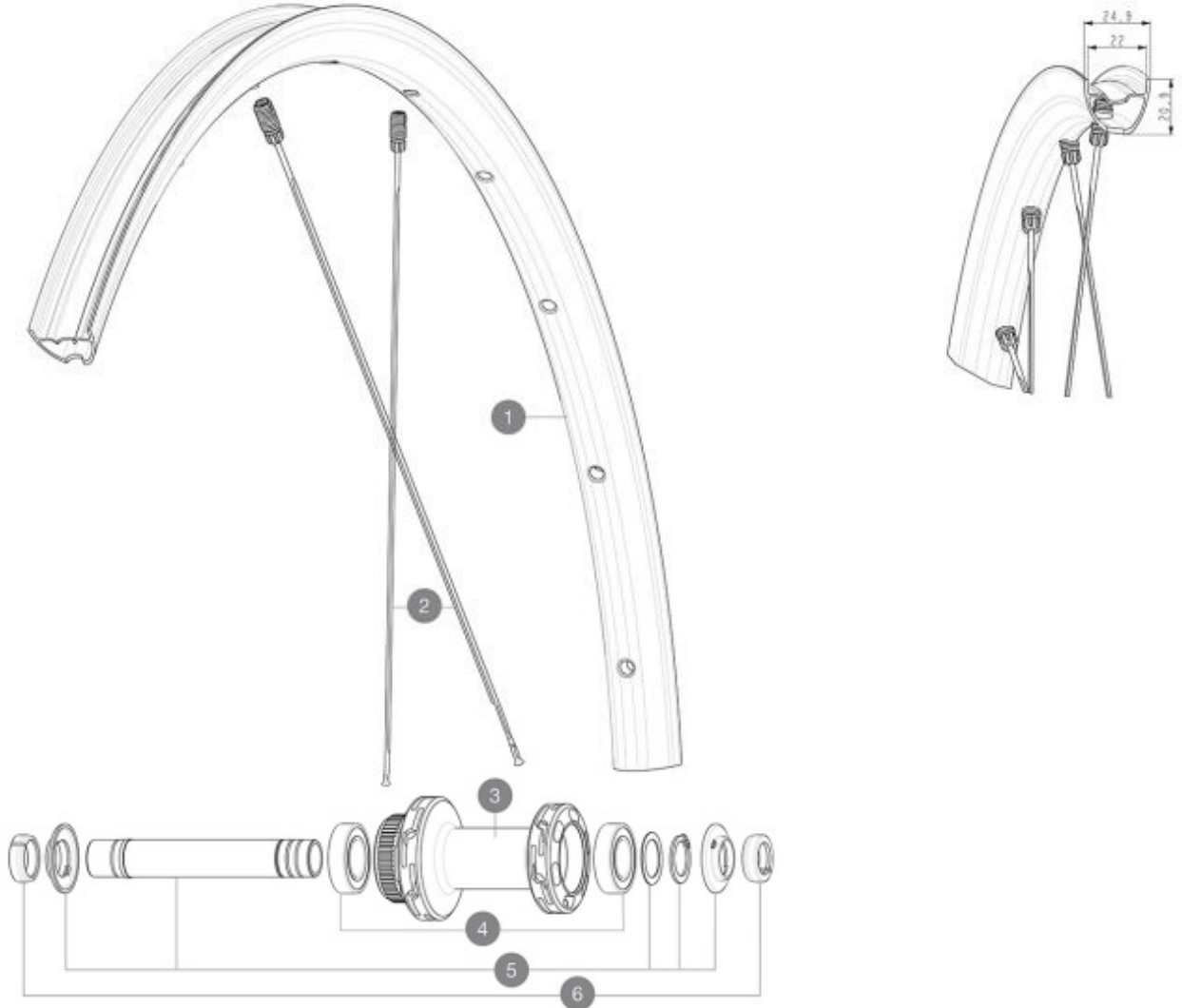
MAVIC ALLROAD S DISC

1
2021
FRONT

ASTM CATEGORY 2 : road and offroad with jumps less than 15cm
For a longer longevity of the wheel, Mavic recommends that the total weight supported by the wheels doesn't exceed 120kg, bike included
Maximum tyre pressure: 4.6bar/67PSI with a 28mm tyre - 32.7bar/39PSI with a 64mm tyre
Recommended tyre sizes: 28 to 64 mm (1.1" to 2.5")
Max. Pressure: see indication on wheel and tyre. If they differ, use the lowest of the 2

REFERENCES WHEELS

F90221 ALLROAD S CL 700 12X100



RIMS



&NBSP;:

- | | | |
|---|-----------|--|
| 1 | V00097531 | Kit Front/Rear rim Allroad S 23 |
| 1 | V4092115 | Kit Front/Rear rim Allroad S while stock lasts |

SPOKES

- | | | |
|---|----------|---|
| 2 | V4162601 | Kit 12 Front/Rear Allroad S flat spoke 298 M7/7 |
|---|----------|---|

HUB SHELLS

- | | | |
|---|----------|---|
| 3 | N/A | HUB BODY |
| 4 | V2500901 | KIT BEARINGS 18x30x7 + WAVED WASHER + CLIP |
| 5 | V2374001 | KIT 12x100mm FRONT AXLE DCL QRM AUTO ALLROAD > 2019 |

OPTIONS

- | | | |
|---|----------|--|
| 6 | V2372501 | 15mm MTB Axle Cap QRM Auto From 2019 |
| | V2680301 | "Kit Ft Road Adapter 12 >> 9mm" |
| | V2373501 | QRM Auto front axle 15mm for DCL Allroad wheels > 2019 |

DELIVERED WITH

UST valve and accessories (129 838 01)	
UST valve and accessories (129 838 01)	
User guide	
User guide	

COMPATIBILITY

Freewheel: Shimano/Sram, convertible to Campagnolo and XD-R with optional driver bodies	
Freewheel: Shimano/Sram, convertible to Campagnolo and XD-R with optional driver bodies	
Front axle: 12mm thru axle, easily convertible to quick release with optional adapters. Convertible to 15mm with complete axle replacement	
Front axle: 12mm thru axle, easily convertible to quick release with optional adapters. Convertible to 15mm with complete axle replacement	
Rear axle: 12mm thru axle, convertible to Quick Release with optional adapters	
Rear axle: 12mm thru axle, convertible to Quick Release with optional adapters	

Specifications

RIMS

- **Material** : Maxtal
 - **Material** : Maxtal
 - **Height** : 22 mm
 - **Height** : 22 mm
- SUP
Disc brake specific profile
Disc brake specific profile
- **Tire** : UST Tubeless and tubetype
 - **Tire** : UST Tubeless and tubetype
 - **Internal width** : 22 mm
 - **Internal width** : 22 mm
 - **ETRTO size** : 622x22TSS ROAD
 - **ETRTO size** : 622x22TSS ROAD
- Hookless profile
Hookless profile
Fore
Fore
UST
UST
SUP

SPOKES

- **Material** : steel
- **Material** : steel
- **Shape** : straight pull, flat, double butted
- **Shape** : straight pull, flat, double butted
- **Nipples** : Fore integrated aluminum
- **Nipples** : Fore integrated aluminum
- **Count** : 24 front and rear
- **Count** : 24 front and rear
- **Lacing** : front and rear crossed 2, contactless
- **Lacing** : front and rear crossed 2, contactless

WHEEL HUB

- Infinity Hub
- **Front and rear bodies** : aluminum
 - **Axle material** : aluminum
- Instant Drive 360
QRM Auto
- **Front and rear bodies** : aluminum
 - **Front** : Quick release, 12x100 and 15x100 through axle compatible
 - **Rear** : Quick Release, 12x142 and 12x135 compatible
 - **Axle material** : aluminum
- Hub available for Center Lock brake rotors only
- **Front** : Quick release, 12x100 and 15x100 through axle compatible
 - **Rear** : Quick Release, 12x142 and 12x135 compatible
- Infinity Hub
Instant Drive 360
QRM Auto

VERSIONS

- **Disc standard** : Center Lock (R) only
- **Disc standard** : Center Lock (R) only
- **Freewheel** : Shimano/Sram or XD-Road
- **Freewheel** : Shimano/Sram

WHEEL WEIGHTS

830