

ASTM CATEGORY 4 : ENDURO AND TRAIL RIDING

Maximum tyre pressure: 2.95bar/43PSI with a 52mm tyre - 1.55bar/22PSI with a 125mm tyre

For a longer longevity of the wheel, Mavic recommends that the total weight supported by the wheels doesn't exceed 150kg, bike included

Minimum tyre size: width 52mm - pressure max. 2.95Bar/43PSI

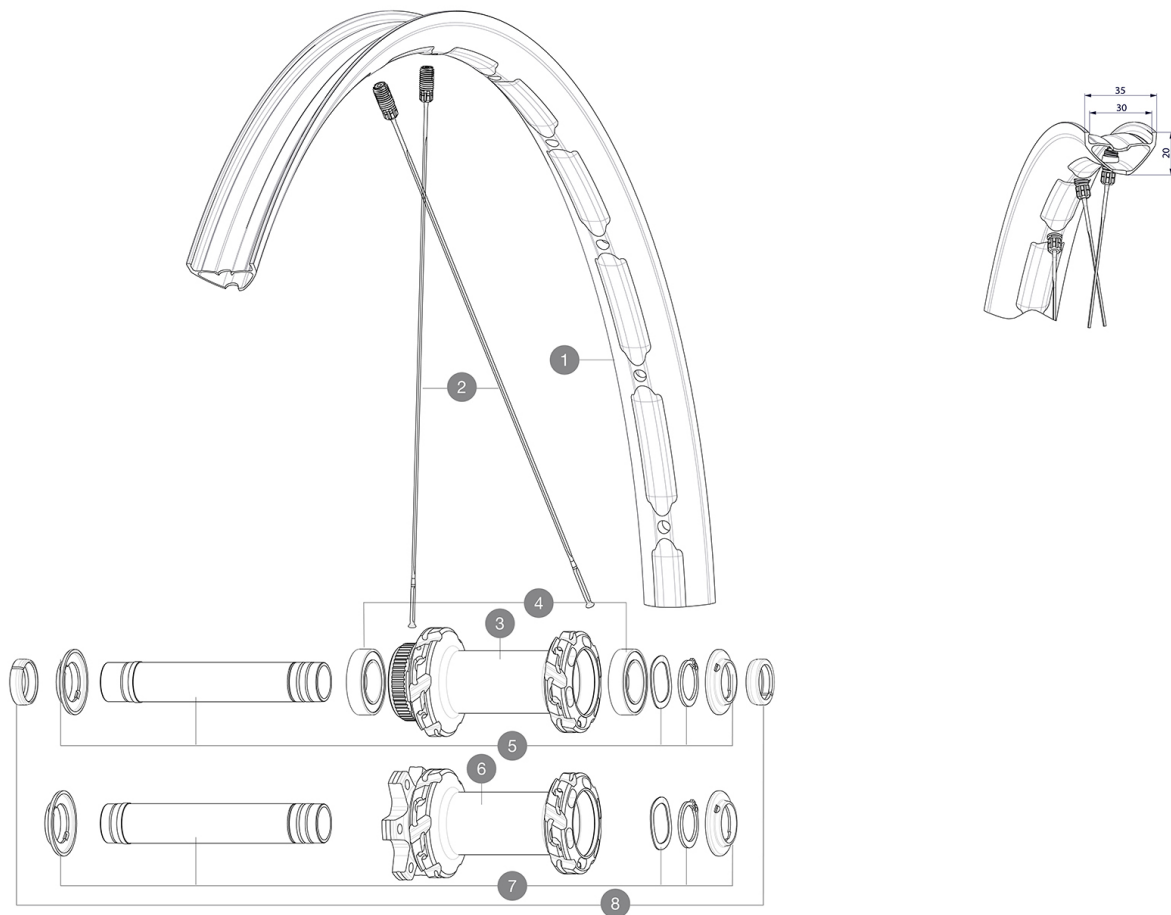
Recommended tyre sizes: 60mm to 76mm (2.35" to 3.0")

Non-Boost : 12 to 9mm rear adapter for quick release ([V2510801])

REFERENCES WHEELS

F90493 XMAX XLS INT 29 BST

F91972 XMAX XLS CL 29 BST



RIMS



&NBSP::

1 V3765915 Kit Front/Rear rim Crossmax XLS 29"

SPOKES

2 V2388301 Kit 12 Front/Rear Crossmax SL/SLS/XL/XLS 29" butted spoke 2

HUB SHELLS

3 N/A HUB BODY
4 V2500901 KIT BEARINGS 18x30x7 + WAVED WASHER + CLIP
5 V2375601 Kit 110mm axle QRM auto MTB from 2019 DCL
6 N/A HUB BODY
7 V2372401 KIT 110mm AXLE QRM AUTO MTB > 2019

OPTIONS

V2374401 TORQUE CAPS 15*31 Adapter MTB QRM Auto > 2019 Frt HUB

ADAPTERS

8 V2372501 15mm MTB Axle Cap QRM Auto From 2019
99694101 ADAPTER Ft 15 to 9mm QR

DELIVERED WITH

| | |
|---|--|
| User guide | |
| UST valve and accessories (129 838 01) | |
| UST valve and accessories (129 838 01) | |
| UST valve and accessories (129 838 01) | |
| Multifunction adjustment wrench (delivered with rear wheel) (325 423 01) | |
| Multifunction adjustment wrench (delivered with rear wheel) (325 423 01) | |
| Multifunction adjustment wrench (delivered with rear wheel) (325 423 01) | |
| User guide | |
| UST valve and accessories (129 838 01) | |
| 2 replacement spokes with each wheel | |
| Multifunction adjustment wrench (delivered with rear wheel) (325 423 01) | |
| 2 replacement spokes with each wheel | |
| Fore adjustment wrench | |
| Fore adjustment wrench | |
| 2 replacement spokes with each wheel | |
| 2 replacement spokes with each wheel | |

COMPATIBILITY

| | |
|---|--|
| Freewheel body: convertible SHIMANO HG MTB steel (kit V3790101 sold separately) | |
| Freewheel body: convertible SHIMANO HG MTB steel (kit V3790101 sold separately) | |
| Boost 20 to 15mm front adapter ([12982801]) | |
| Front axle: for fixing nuts only (included), M9x1 thread | |
| Rear axle adapters: 12x148 convertible to 9x141 (kit V2510801 sold separately) | |
| Rear axle adapters: 12x148 convertible to 9x141 (kit V2510801 sold separately) | |
| Freewheel: Shimano HG9, XD or Micro Spline | |
| Freewheel: Shimano HG9, XD or Micro Spline | |
| Rear axle: 12x148 Boost thru axle | |
| Rear axle: 12x148 Boost thru axle | |
| Front axle: 15x110 Boost thru axle | |
| Front axle: 15x110 Boost thru axle | |
| Front axle: convertible from 15mm thru axle to Quick Release with adapters (delivered with non-boost wheel) | |
| Front axle: for fixing nuts only (included), M9x1 thread | |

Specifications**RIMS**

- Material : Mxtral
- Material : Mxtral
- Material : Mxtral
- Material : Mxtral
- Material : S6000 Aluminum

WHEEL HUB

- Body : aluminum Infinity Hub
- Body : aluminum Instant Drive 360 QRM Auto

WHEEL WEIGHTS

830