

ASTM CATEGORY 1 : road only

Maximum tyre pressure: 4.4bar/64PSI with a 28mm tyre - 2.6bar/38PSI with a 64mm tyre

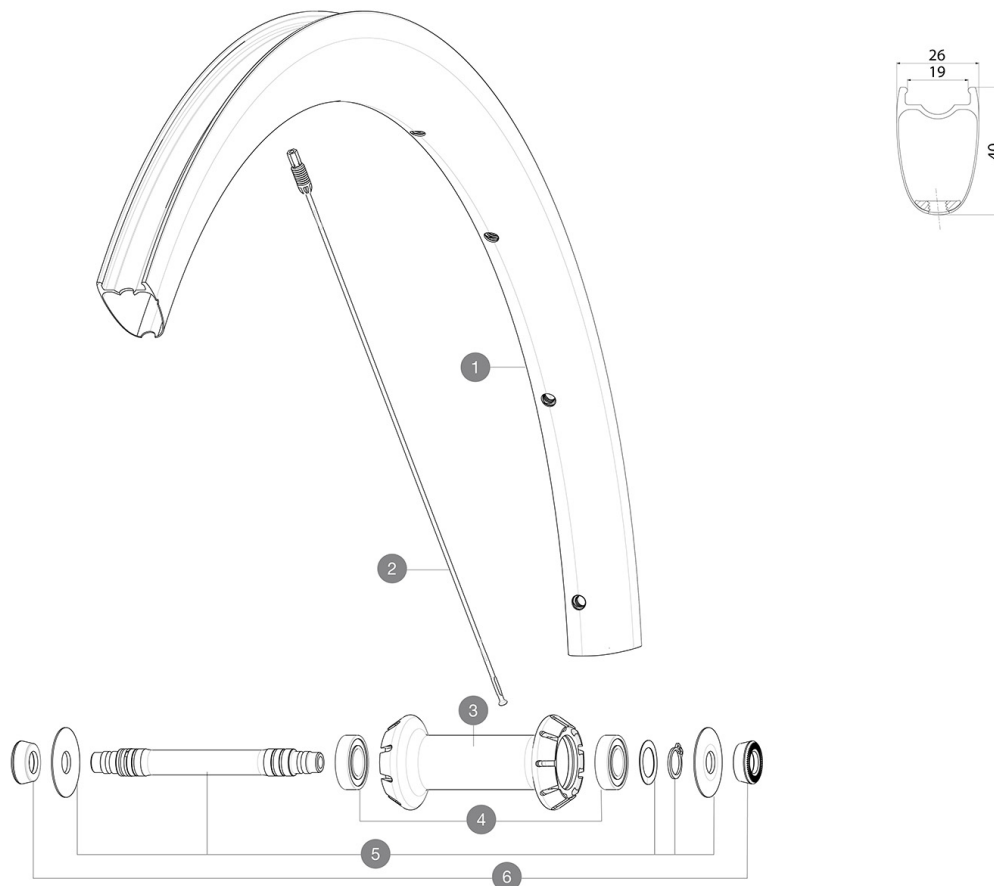
For a longer longevity of the wheel, Mavic recommends that the total weight supported by the wheels doesn't exceed 120kg, bike included

Maximum tyre pressure: 6.75bar/97PSI with a 23mm tyre - 3.8bar/55PSI with a 62mm tyre

Maximum tyre size: width 62mm - pressure max. 3.8Bar/55PSI

REFERENCES WHEELS

F92421 COSMIC SLR40 RB 700 QR



RIMS



&NBSP;:

1 V4094710 Kit Front rim Cosmic SLR 40 RB

SPOKES

2 V3669501 Kit 9 Ft Cosmic SLR40 aero ss spk 277 M6

HUB SHELLS

3 N/A HUB BODY
4 M40078 FRONT HUB BEARINGS 6901 x 2
5 V2375801 Kit front axle RB for QRM auto hub + hoobster + wave washer

ADAPTERS

6 35117301 FT/RR FORK REST R-SYS/CC ULTIMATE > 2013/KSY PRO CARB T

MAVIC COSMIC SLR 40

DELIVERED WITH

Mavic tyre sealant (rear wheel) (355 466 01)	
BR301 quick releases (V24 501 01 frt, V24 502 01 rear)	
BR301 quick releases (V24 501 01 frt, V24 502 01 rear)	
BR301 quick releases (V24 501 01 frt, V24 502 01 rear)	
Carbon brake pads (V24 603 01 Shimano/Sram, V24 604 01 Campagnolo)	
Carbon brake pads (V24 603 01 Shimano/Sram, V24 604 01 Campagnolo)	
Carbon brake pads (V24 603 01 Shimano/Sram, V24 604 01 Campagnolo)	
UST valve and accessories (129 838 01)	
UST valve and accessories (129 838 01)	
UST valve and accessories (129 838 01)	
User guide	
User guide	
User guide	

COMPATIBILITY

Freewheel: Shimano/Sram, convertible to Campagnolo and XD-R with optional driver bodies	
Freewheel: Shimano/Sram, convertible to Campagnolo and XD-R with optional driver bodies	
Freewheel body: convertible SRAM XD road (kit V2580101 sold separately)	
Freewheel body: convertible SHIMANO HG light road (kit V3850101 sold separately)	
Freewheel body: convertible SHIMANO MS (kit V3990101 sold separately)	
Freewheel body: convertible CAMPAGNOLO ED (kit V3440101 sold separately)	
Freewheel body: convertible CAMPAGNOLO N3W (kit V4270101 sold separately)	
Front axle: convertible from 15mm thru axle to Quick Release with adapters (delivered with non-boost wheel)	
ID360 Campagnolo freewheel body ([LV3440100])	
FTS-L Shimano / Sram freewheel body ([30871101] - Delivered on the wheel)	

Specifications

RIMS

- **Material** : 100% carbon fiber
- **Material** : 100% carbon fiber
- **Material** : 100% carbon fiber
- **Height** : 40 mm
- **Height** : 40 mm
- **Height** : 40 mm
- **Internal width** : 19 mm
- **Valve hole diameter** : 6.5 mm
- **Valve hole diameter** : 6.5 mm
- **Drilling** : Fore Carbon tapeless tubeless technology (front 18 holes and rear 24 holes)
- **Tire** : UST Tubeless and tubetype
- **Tire** : UST Tubeless and tubetype
- **Internal width** : 19 mm
- **Internal width** : 19 mm
- **Brake track** : UB Control
- **ETRTO size** : 622x19TC Road
- **ETRTO size** : 622x19TC Road
- **ETRTO size** : 622x19TC Road
- **Tire** : UST Tubeless and tubetype

WHEEL HUB

- **Body** : aluminum
- **Front and rear bodies** : aluminum
- **Axle material** : aluminum
- Instant Drive 360
- QRM Auto
- **Front and rear bodies** : aluminum
- **Axle material** : aluminum
- **Body design** : INFINITY
- **Axle material** : aluminum
- Hub available for Center Lock brake rotors only
- **Axles** : Front 15X110 (Boost) or 15x100 ; Rear 12X148 (Boost) or 12x142
- **Freewheel** : Shimano HG road
- **Freewheel** : FTS-L steel
- Infinity Hub
- Instant Drive 360
- QRM Auto

VERSIONS

- **Freewheel** : Shimano/Sram

WHEEL WEIGHTS

640