

**MAVIC** **E-DEEMAX 35 27.5**

ASTM CATEGORY 5 : GRAVITY RIDING FOCUSED ON THE DESCENT

Maximum tyre pressure: 2.55bar/37PSI with a 54mm tyre - 1.3bar/19PSI with a 125mm tyre

Recommended tyre sizes: 60mm to 76mm (2.35" to 3.0")

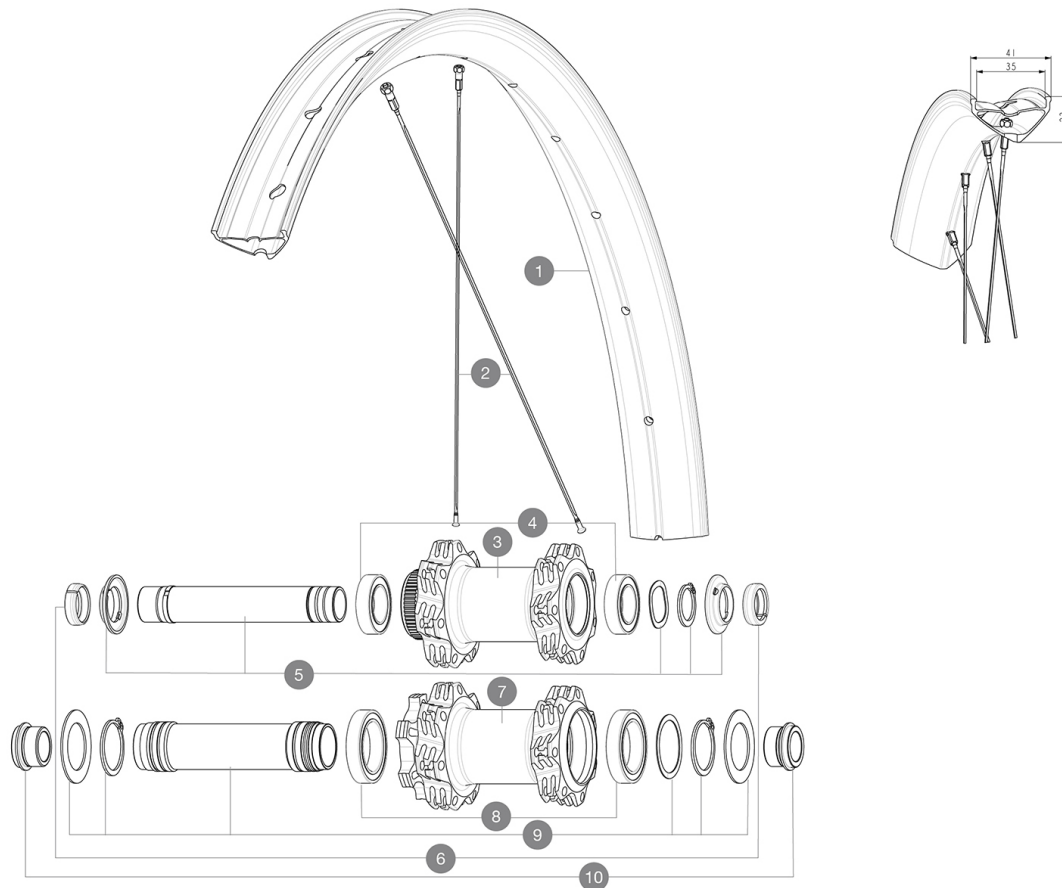
Maximum tyre size: width 64mm - pressure max. 1.3Bar/19PSI

For a longer longevity of the wheel, Mavic recommends that the total weight supported by the wheels doesn't exceed 180kg, E-bike included

**REFERENCES WHEELS**

F92911 E-DEEMAX 35 INT 27,5 BST

F92921 E-DEEMAX 35 CL 27,5 BST

**RIMS**

&amp;NBSP;:

<b>1</b>	V3766815	Kit Front/Rear rim eDeemax 35 27,5"
	V3710101	40mm UST Tape For 35mm Wide Rims

**SPOKES**

<b>2</b>	V2389201	Kit 14 Front eDeemax 27,5" butted spoke 284 + nipple
----------	----------	--

**HUB SHELLS**

<b>3</b>	N/A	HUB BODY
<b>4</b>	V2500901	KIT BEARINGS 18x30x7 + WAVED WASHER + CLIP
<b>5</b>	V2375601	Kit 110mm axle QRM auto MTB from 2019 DCL
<b>7</b>	N/A	HUB BODY
<b>8</b>	M40179	FRONT BEARING 25x37x7 20mm AXLE
<b>9</b>	V2373701	KIT 20x110mm BOOST AXLE QRM AUTO MTB > 2019

**OPTIONS**

V2650401	TORQUECAP20*31 FT QRM AUTO MTB
V2374401	TORQUE CAPS 15*31 Adapter MTB QRM Auto > 2019 Frt HUB

**ADAPTERS**

<b>6</b>	V2372501	15mm MTB Axle Cap QRM Auto From 2019
<b>10</b>	12982801	ADAPTER Ft 20 to 15mm
	V2680401	20x110 BOOST Front Adapter MTB wheels
	99694101	ADAPTER Ft 15 to 9mm QR

# MAVIC E-DEEMAX 35 27.5

## DELIVERED WITH

UST valve and accessories (129 838 01)	
UST valve and accessories (129 838 01)	
Pre-installed tubeless rim tape	
Pre-installed tubeless rim tape	
User guide	
Replacement spokes (2 with the front wheel and 4 with the rear)	
Replacement spokes (2 with the front wheel and 4 with the rear)	

## COMPATIBILITY

Freewheel body: convertible SHIMANO HG MTB steel (kit V3790101 sold separately)	
Rear axle adapters: 12x148 convertible to 9x141 (kit V2510801 sold separately)	
Instant Drive 360 freewheel technology The new Instant Drive 360 freewheel system is super light and fast to engage with only 9Å°. A large contactless rubber seal provides low friction, while a wide array of end caps makes it super versatile.	
Rear axle: Quick Release only	
Front axle: for fixing nuts only (included), M9x1 thread	

## Specifications

### RIMS

- **Material** : Mactal
  - **Height** : 22 mm
  - **Joint** : SUP welding technology
  - **Joint** : SUP welding technology
  - **Drilling** : traditional
  - **Internal width** : 35 mm
- E-Bike specific rim profile
- **Tire** : UST Tubeless and tubetype
  - **Drilling** : traditional (front/rear 28 holes)
- Disc brake specific profile
- **Internal width** : 35 mm
- Asymmetrical rim design
- **ETRTO size 27.5"** : 584x35TC
  - **ETRTO size 27.5"** : 584x35TC
- Pinch Flat Protection sidewall (minimizes the risk of tire cuts and punctures)
- Asymmetrical rim design
- **Tire** : clincher

### SPOKES

- **Material** : steel
- **Shape** : straight pull, flat
- **Shape** : j-bent, flat, 2.0 straight gauge
- **Count** : 28 front and rear
- **Lacing** : front radial, rear Isopulse
- **Lacing** : front and rear crossed 3

### WHEEL HUB

- **Body** : aluminum
- Instant Drive 360 freewheel technology  
QRM Auto bearing preload technology
- **Axles** : Front 15X110 Boost ; Rear 12X148 Boost
- Hub available with 6-bolt or Center LockÅ® brake rotors
- **Disc standard** : 6 Bolts or Center LockÅ®
  - **Axle material** : aluminum
  - **Rear body** : aluminum
  - **Axles** : Front 15X110 (Boost) or 15x100 ; Rear 12X148 (Boost) or 12x142
  - **Freewheel** : Shimano HG MTB / Shimano MS / Sram XD MTB
  - **Freewheel** : FTS-L steel

### VERSIONS

- **Disc standard** : 6 Bolts or Center LockÅ®
- **Hub width** : Boost only (front 110, rear 148)
- **Freewheel** : SRAM XD, Shimano HG9, Shimano Micro-Spline

### WHEEL WEIGHTS

1060