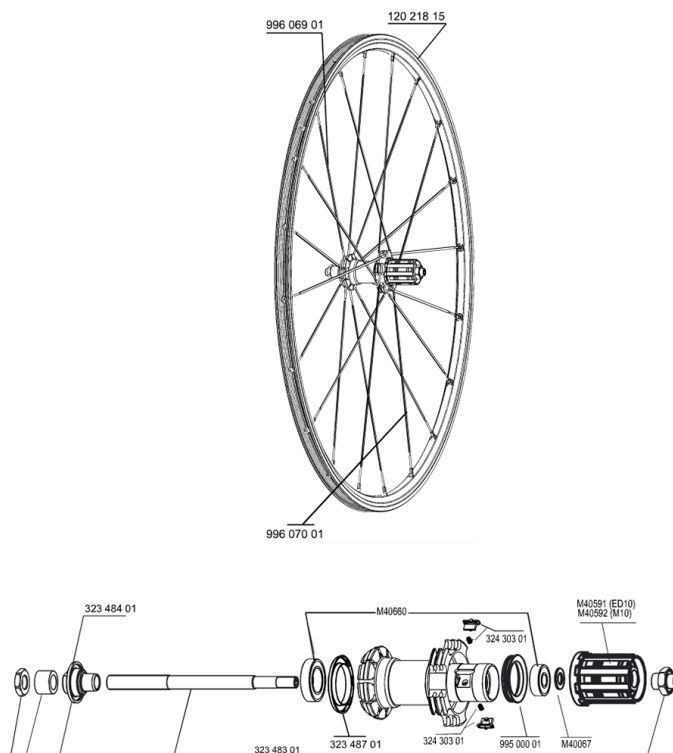


REFERENCES WHEELS

117794 CROSSRIDE UB 011 PR

117793 CROSSRIDE UB 011 REAR



RIMS



&NBSP;:

12021815 KIT FRONT/REAR CROSSRIDE UB 2011 RIM

SPOKES

99607001 KIT 10 DS CROSSRIDE UB 08 BLACK SPOKE 276mm

99606901 KIT 10 FT/NDS CROSSRIDE UB 08 BLACK SPOKE

HUB SHELLS

32348701 HUB CAP XMAX END/KSY EQ/COSMOS

M40660 REAR HUB 608+6001 BEARINGS

M40592 FTSL FREEWHEEL BODY M10

32348401 EXPANSIBLE BEARINGS SUPPORT

32430301 FT SX PAWLS KIT (MTB WHEELS)

M40591 FTSL FREEWHEEL BODY ED10

32348301 REAR AXLE QRM MTB UB

99500001 FTSL/FTSX FREEHUB BODY SEAL

M40067 INTERNAL FREEWHEEL SPACER FTSL/FTSX

MAVIC *Crossride UB***DELIVERED WITH**

BR101 quick releases	
BR101 quick releases	
Rim tape	
Rim tape	
User guide	
User guide	

Specifications**RIMS**

- **Material** : 6106 Aluminum
- **Material** : 6106 Aluminum
- **Color** : black anodized
- **Joint** : pinned
- **Drilling** : traditional
- **Joint** : pinned
- **Brake track** : UB Control
- **Drilling** : traditional
- **Eyelet** : H2 technology
- **Valve hole diameter** : 8,5 mm with pop off reducer
- **Brake track** : UB Control
- **Tyre** : tubetype
- **Internal width** : 17 mm
- **Valve hole diameter** : 8,5 mm with pop off reducer
- **Tyre** : tubetype
- **ETRTO size** : 559x17C
- **Internal width** : 17 mm
- **ETRTO size** : 559x17C
- **Recommended tyre sizes** : 1.5 to 2.3
- **Recommended tyre sizes** : 1.5 to 2.3

SPOKES

- **Material** : steel
- **Material** : steel
- **Shape** : straight pull, bladed
- **Shape** : straight pull, bladed
- **Color** : black
- **Nipples** : brass, ABS
- **Nipples** : brass, self lock concept
- **Count** : 20 front and rear
- **Count** : 20 front and rear
- **Lacing** : radial front and rear non-drive side, crossed 2 rear drive side
- **Lacing** : radial front and rear non-drive side, crossed 2 rear drive side

WHEEL HUB

- **Front and rear bodies** : aluminum
- **Front and rear bodies** : aluminum
- **Front and rear axle material** : steel
- **Color** : black
- QRM
- **Front and rear axle material** : steel
- FTS-X steel
- QRM
- FTS-X steel

WHEEL WEIGHTS

920