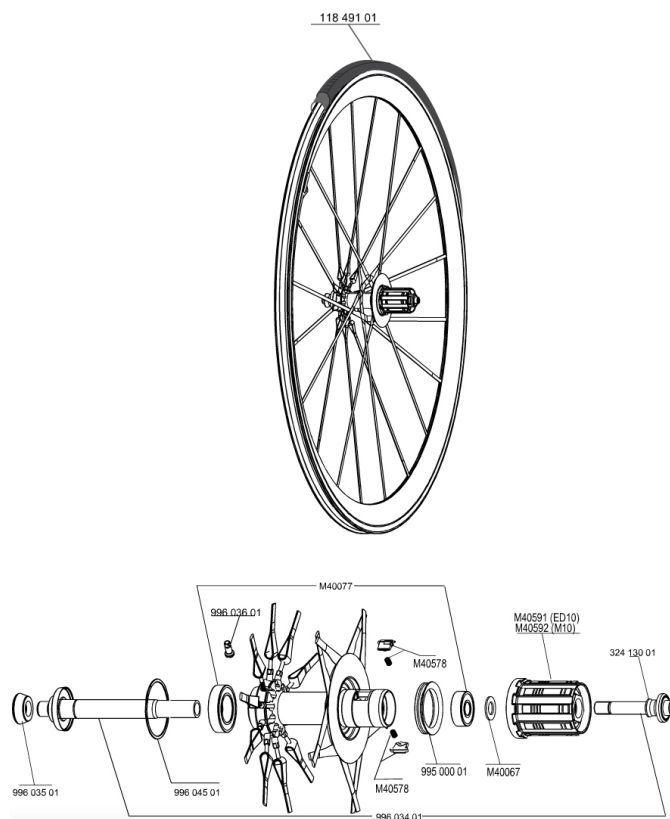


## REFERENCES WHEELS

118078	COSMIC CARB ULTI 011ED11 WTS	118410	COSMIC CARB ULTI011 M10 WTS
118079	COSMIC CARB ULTI011M10PR WTS	118411	COSMIC CARB ULTI011ED11PR WTS



## SPOKES

99603601	KIT 10 NIPPLES COSMIC CARBON ULTIMATE
----------	---------------------------------------

## HUB SHELLS

99604501	SET OF 2 R.HUB RING COS.CARB.ULTIMATE
M40077	REAR HUB 608+6901 BEARINGS
M40592	FTSL FREEWHEEL BODY M10
M40067	INTERNAL FREEWHEEL SPACER FTSL/FTSX
99603501	R.FORK SUPPORT COS.CARB.ULTIMATE < 2014
32413001	REAR AXLE BOLT M11/ED11
M40591	FTSL FREEWHEEL BODY ED10
99603401	REAR AXLE COS.CARBONE ULTIMATE
99500001	FTSL/FTSX FREEHUB BODY SEAL
M40578	FTSL PAWLS KIT (ROAD WHEELS)

## TYRES

11849101	Yksion PowerLink Tubular 23
----------	-----------------------------

**MAVIC** *Cosmic Carbone Ultimate 11***DELIVERED WITH**

Wheelbags	
Carbon brake pads	
Valve extender	
Computer magnet (front wheel)	

**Specifications****RIMS**

- **Material** : 100% woven 12K carbon fiber
- **Color** : carbon
- **Height** : 40 mm, rear asymmetrical
- **Drilling** : no holes, spokes molded to the rim
- **Brake track** : carbon
- **Valve hole diameter** : 6.5 mm
- **Tyre** : tubular
- **ETRTO size** : 28" tubular
- **Recommended tyre sizes** : 19 to 28 mm

**SPOKES**

- **Material** : unidirectional carbon fiber
- **Shape** : R2R
- **Color** : carbon
- **Nipples** : brass, ABS
- **Count** : 20 front and rear
- **Lacing** : crossed 2 front and rear drive side, radial non drive side

**WHEEL HUB**

- **Front body** : Front 100% carbon
  - **Rear body** : aluminum
  - **Color** : front carbon, rear black
  - **Front axle material** : aluminum
  - **Rear axle material** : titanium and aluminum
- QRM+  
FTS-L steel

**WHEEL WEIGHTS**