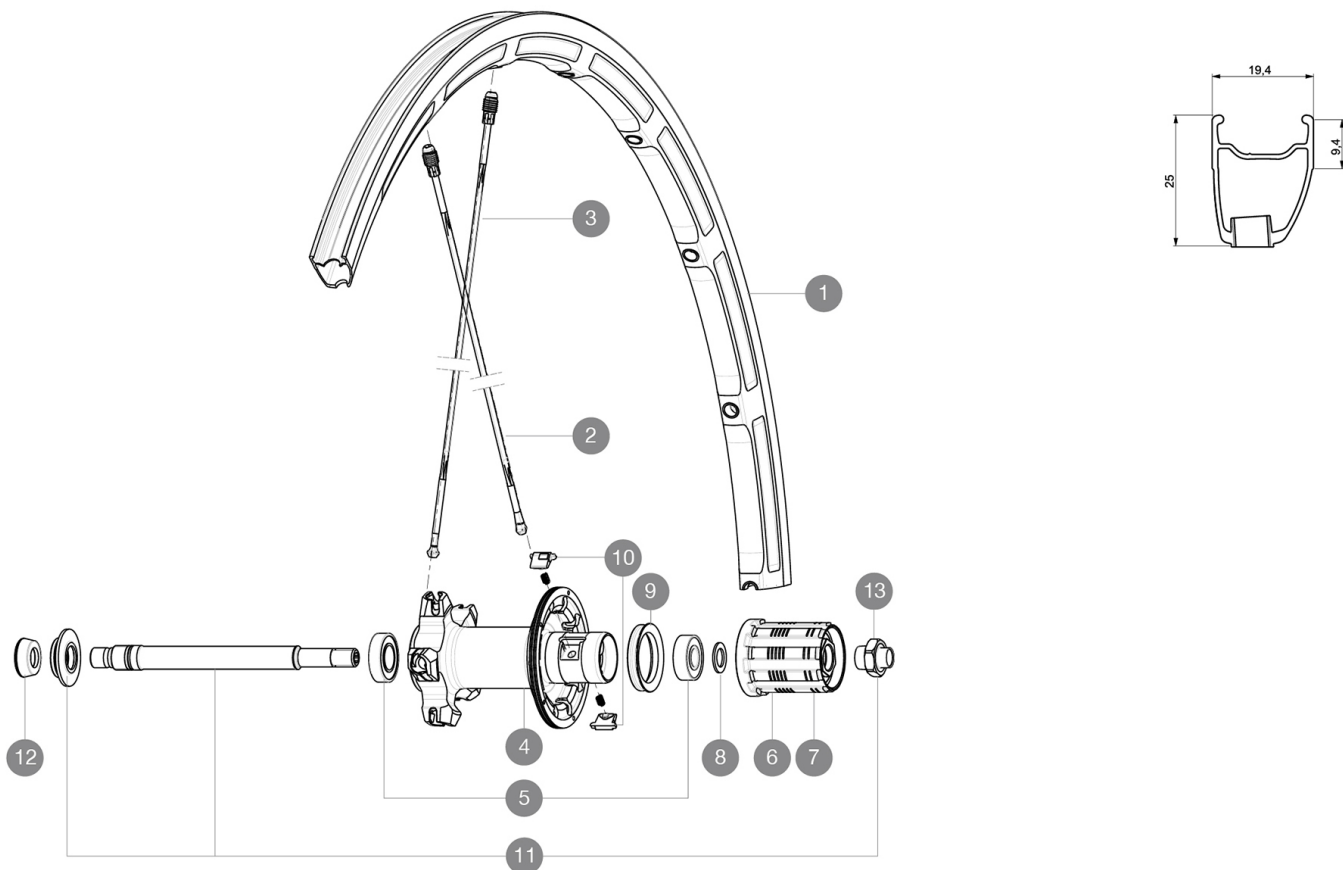


REFERENCES WHEELS

R17501 Ksyrium SLE Pr



RIMS



VALVE HOLE \bar{A} (MM): 6.5 :

1	V2290413	KIT REAR RIM KSYRIUM SLE
---	----------	--------------------------

SPOKES

2	12030301	KIT 10 DS KSYRIUM SL11 BLACK SPOKE 275mm
3	12030401	KIT 10 NDS KSYRIUM SL11 BLACK SPOKE 298mm

HUB SHELLS

4	N/A	HUB BODY
5	33000001	REAR HUB B9+6901 BEARINGS 2013
6	30871101	FTS-L ROAD FREEWHEEL BODY HG11 8/9 compatible
7	30871201	FTS-L ROAD FREEWHEEL BODY ED11 8/9 compatible
8	30872801	SET OF 3 INTERNAL SILVER SPACERS 9mm FTS-L
9	99500001	FTSL/FTSX FREEHUB BODY SEAL
10	M40578	FTSL PAWLS KIT (ROAD WHEELS)
11	V2250501	KIT REAR AXLE KSYRIUM SLE/SLS/ELITE/PRO EXALITH/ALLROAD ELIT
13	V2373101	KIT NUT FOR ROAD ALLOY THROUGH AXLE 9mm

ADAPTERS

12	35117301	FT/RR FORK REST R-SYS/CC ULTIMATE > 2013/KSY PRO CARB T
----	----------	---

MAVIC Ksyrium SLE

DELIVERED WITH

BR601 quick releases	
Exalith brake pads	
Computer magnet (front wheel)	
Multifonction adjustment wrench	
User guide	

Specifications

RIMS

- **Material** : Maxtal
- **Height** : front 22 mm, rear 25 mm asymmetrical
- **Joint** : SUP
- **Drilling** : Fore
- **Brake track** : Exalith 2
- **Weight reduction** : ISM 3D
- **Valve hole diameter** : 6.5 mm
- **Tyre** : clincher
- **ETRTO size** : 622x15C
- **Recommended tyre sizes** : 19 to 32 mm

SPOKES

- **Material** : Zicral
- **Shape** : straight pull, bladed, front double butted
- **Nipples** : Fore integrated aluminum
- **Count** : front 18, rear 20
- **Lacing** : front radial, rear Isopulse

WHEEL HUB

- **Front body** : carbon with aluminum flanges
 - **Rear body** : aluminum
 - **Axle material** : aluminum
- Adjustable sealed cartridge bearings
- **Freewheel** : FTS-L steel

WHEEL WEIGHTS

Wheel weight 790