

MAVIC Ksyrium Pro Exalith SL

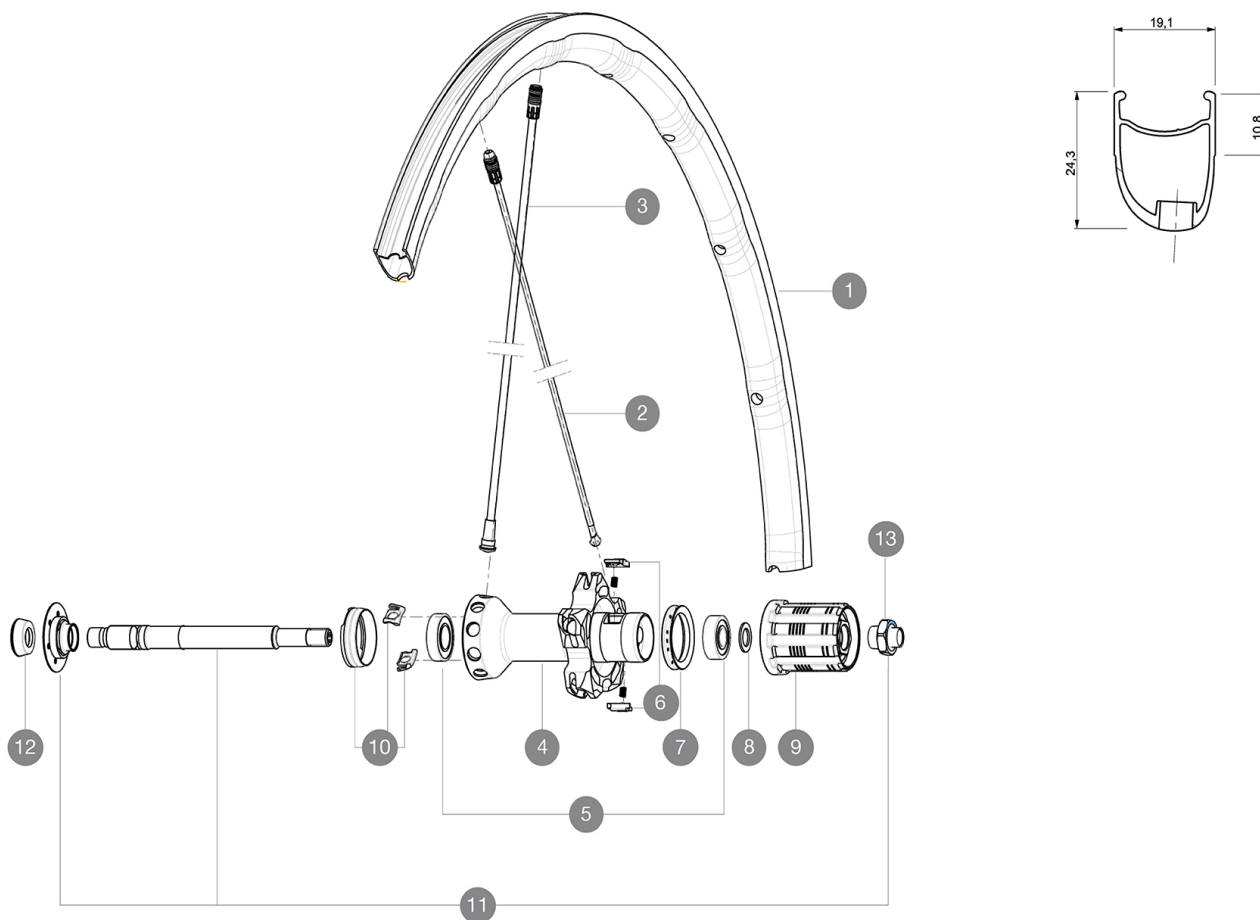
1
2016
REAR

ASTM CATEGORY 1 : road only
Recommended weight limit : 120kg
Recommended tyre sizes: 23 to 32 mm
Max. Pressure: 25mm 7.7 bars - 110 PSI

REFERENCES WHEELS

R58301 KsyProExalithSLRr

R98421 KsyProExalithSLRr Limited



RIMS



VALVE HOLE \bar{A} (MM): 6.5 :

1	V2405213	KIT REAR RIM KSYRIUM PRO EXALITH SL LTD
1	V2290213	KIT REAR RIM KSYRIUM PRO SL EXALITH (SLR 15)

SPOKES

2	V2270401	KIT 10 DS R-SYS SLR/KSY SLR ALU SPK 293,5mm
3	V2270301	KIT 10 NDS R-SYS/KSY SLR CARB SPK 282,7mm -while stock last
3	V4161301	Kit 10 front/rear Rsys spokes 282,7mm from 2020
10	99693801	2 SILVER TRACOMP RINGS + CLIPS

HUB SHELLS

4	N/A	HUB BODY
5	33000001	REAR HUB B9+6901 BEARINGS 2013
6	M40578	FTSL PAWLS KIT (ROAD WHEELS)
7	99500001	FTSL/FTSX FREEHUB BODY SEAL
8	30872801	SET OF 3 INTERNAL SILVER SPACERS 9mm FTS-L
9	30871201	FTS-L ROAD FREEWHEEL BODY ED11 8/9 compatible
9	30871101	FTS-L ROAD FREEWHEEL BODY HG11 8/9 compatible
11	V2250201	KIT REAR AXLE KSYRIUM SLR/K125/R-SYS/ELITE 16
13	V2373101	KIT NUT FOR ROAD ALLOY THROUGH AXLE 9mm

ADAPTERS

12	35117301	FT/RR FORK REST R-SYS/CC ULTIMATE > 2013/KSY PRO CARB T
----	----------	---

MAVIC Ksyrium Pro Exalith SL

DELIVERED WITH

BR601 quick releases	
BR601 quick releases	
Exalith brake pads	
Exalith brake pads	
Multifunction adjustment wrench	
Tracomp ring tool	
User guide	
Multifunction adjustment wrench	
Tracomp ring tool	
User guide	

COMPATIBILITY

Freewheel: Shimano/Sram, convertible to Campagnolo with optional driver body	
Front axle: Quick Release only	
Rear axle: Quick Release only	

Specifications

RIMS

- **Material** : Mxstal
- **Height** : front 24mm, rear 26 asymmetrical
- **Joint** : SUP
- **Drilling** : Fore
- **Brake track** : Exalith 2
- **Weight reduction** : ISM 4D
- **Valve hole diameter** : 6.5 mm
- **Material** : Mxstal
- **Tyre** : clincher
- **Height** : front 24mm, rear 26 asymmetrical
- **ETRTO size** : 622x15C
- **Recommended tyre sizes** : 23 to 32 mm
- **Joint** : SUP
- **Drilling** : Fore
- **Brake track** : Exalith 2
- **Weight reduction** : ISM 4D
- **Valve hole diameter** : 6.5 mm
- **Tyre** : clincher
- **Internal width** : 15mm
- **ETRTO size** : 622x15C

SPOKES

- **Material** : front and rear drive side Zicral, Rear non drive side carbon fiber
- **Shape** : front and rear drive side straight pull bladed double butted, rear non drive side Tracomp
- **Nipples** : Fore integrated aluminum
- **Material** : front and rear drive side Zicral, Rear non drive side carbon fiber
- **Count** : front 18, rear 20
- **Lacing** : radial front and rear non-drive side, crossed 2 rear drive side

WHEEL HUB

- **Front body** : carbon with aluminum flanges
- **Rear body** : aluminum
- **Rear body** : aluminum
- **Axle material** : aluminum
- Adjustable sealed cartridge bearings
- **Front body** : carbon with aluminum flanges
- **Freewheel** : FTS-L steel
- **Axle material** : aluminum
- Adjustable sealed cartridge bearings
- **Freewheel** : FTS-L steel

VERSIONS

- **Color** : Black only

WHEEL WEIGHTS

Wheel weight 750