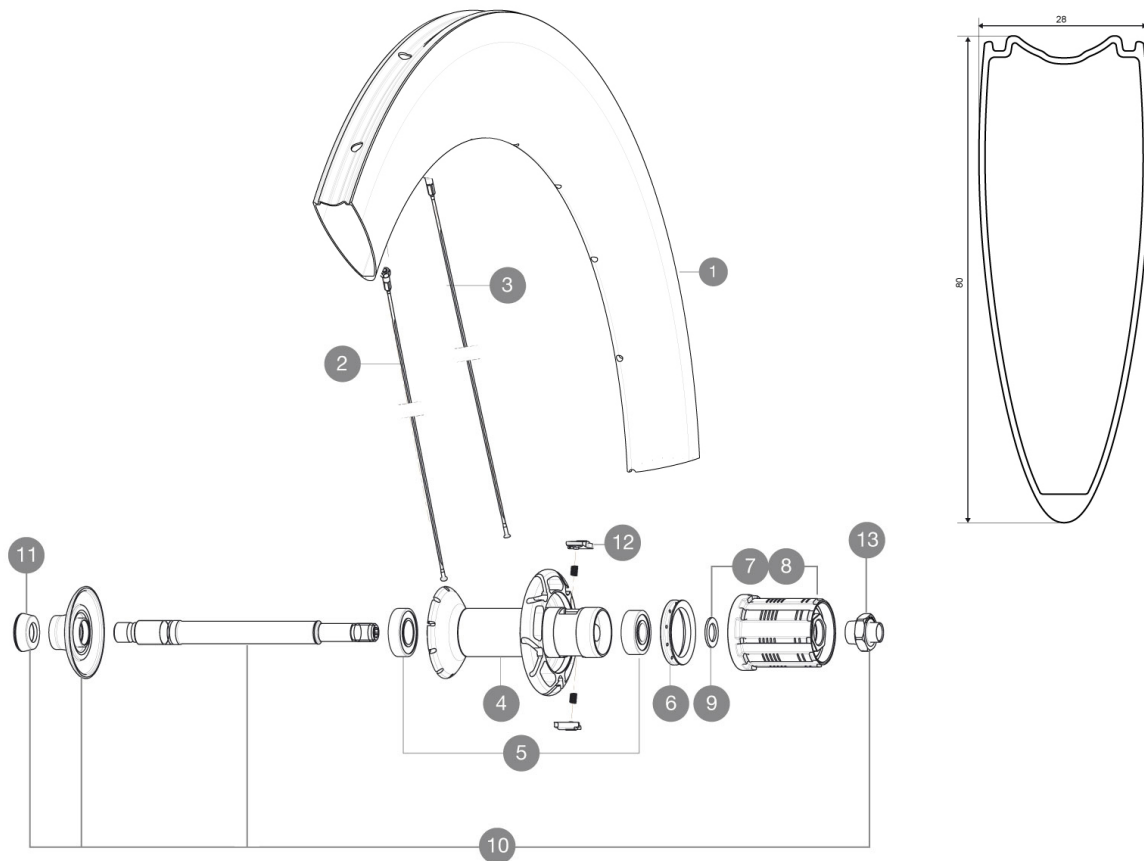


ASTM CATEGORY 1 : road only
Recommended weight limit : 120kg
Recommended tyre size: 23 mm
Max. Pressure: 23mm 8.7 bars - 125 psi

REFERENCES WHEELS

R98101	CXRUltimate80Tub16Pr+CD	R56901	CXRUlti80T16Pr
--------	-------------------------	--------	----------------



RIMS



VALVE HOLE \bar{A} (MM): 6,5 :

1	30860313	KIT REAR COSMIC CXR80 TUBULAR RIM
---	----------	-----------------------------------

SPOKES

2	30863201	KIT 10 FT/NDS CXR80/CC80 2013 BLK SPK 235mm
3	30863101	KIT 10 DS CXR80/CC80 2013 BLACK SPOKE 232mm

HUB SHELLS

4	N/A	HUB BODY
5	33000001	REAR HUB B9+6901 BEARINGS 2013
6	99500001	FTSL/FTSX FREEHUB BODY SEAL
7	30871101	FTS-L ROAD FREEWHEEL BODY HG11 8/9 compatible
8	30871201	FTS-L ROAD FREEWHEEL BODY ED11 8/9 compatible
9	30872801	SET OF 3 INTERNAL SILVER SPACERS 9mm FTS-L
10	V2250301	KIT REAR AXLE AERO HUB CXR/CC40/CC SLS/CC SLE/COSMIC PRO CAR
12	M40578	FTSL PAWLS KIT (ROAD WHEELS)
13	V2373101	KIT NUT FOR ROAD ALLOY THROUGH AXLE 9mm

ADAPTERS

11	35117301	FT/RR FORK REST R-SYS/CC ULTIMATE > 2013/KSY PRO CARB T
----	----------	---

MAVIC *CXR Ultimate 80 T***DELIVERED WITH**

BR601 quick releases	
BR601 quick releases	
CXR specific carbon brake pads	
Valve extender	
CXR specific carbon brake pads	
Multifunction adjustment wrench	
User guide	
Valve extender	
Multifunction adjustment wrench	
User guide	

COMPATIBILITY

Freewheel: Shimano/Sram or Campagnolo, convertible to XD-R with optional driver body	
Freewheel: Shimano/Sram, convertible to Campagnolo with optional driver body	
Front axle: Quick Release only	
Rear axle: Quick Release only	

Specifications**RIMS**

- **Material** : 100% woven 3K carbon fiber
- **Height** : 80 mm, Width 27 mm with CX01 grooves
- **Material** : 3K carbon fibers
- **Drilling** : traditional
- **Brake track** : carbon
- **Valve hole diameter** : 6.5 mm
- **Tyre** : tubular
- **ETRTO size** : 28" tubular
- **Recommended tyre size** : 23 mm
- **Height** : 80 mm, Width 27 mm with CX01 grooves
- **Drilling** : traditional
- **Brake track** : carbon
- **Valve hole diameter** : 6.5 mm
- **Tyre** : tubular
- **ETRTO size** : 28" tubular

SPOKES

- **Material** : steel
- **Shape** : straight pull, bladed, double butted
- **Nipples** : aluminum, ABS
- **Count** : front 16, rear 20
- **Lacing** : radial front and rear non-drive side, crossed 2 rear drive side
- **Material** : steel
- **Shape** : straight pull, bladed, double butted
- **Nipples** : aluminum, ABS
- **Count** : front 16, rear 20
- **Lacing** : radial front and rear non-drive side, crossed 2 rear drive side

WHEEL HUB

- **Front and rear bodies** : carbon center tube and aluminum flanges
- **Axle material** : aluminum
- **Front and rear bodies** : carbon center tube and aluminum flanges
- Adjustable sealed cartridge bearings
- **Freewheel** : FTS-L steel
- **Axle material** : aluminum
- Adjustable sealed cartridge bearings
- **Freewheel** : FTS-L steel

VERSIONS

- **Color** : Black only

WHEEL WEIGHTS

Wheel weight 905