

# MAVIC Allroad Elite UST UB

ASTM CATEGORY 2 : road and offroad with jumps less than 15cm

For a longer longevity of the wheel, Mavic recommends that the total weight supported by the wheels don't exceed 120kg, bike included

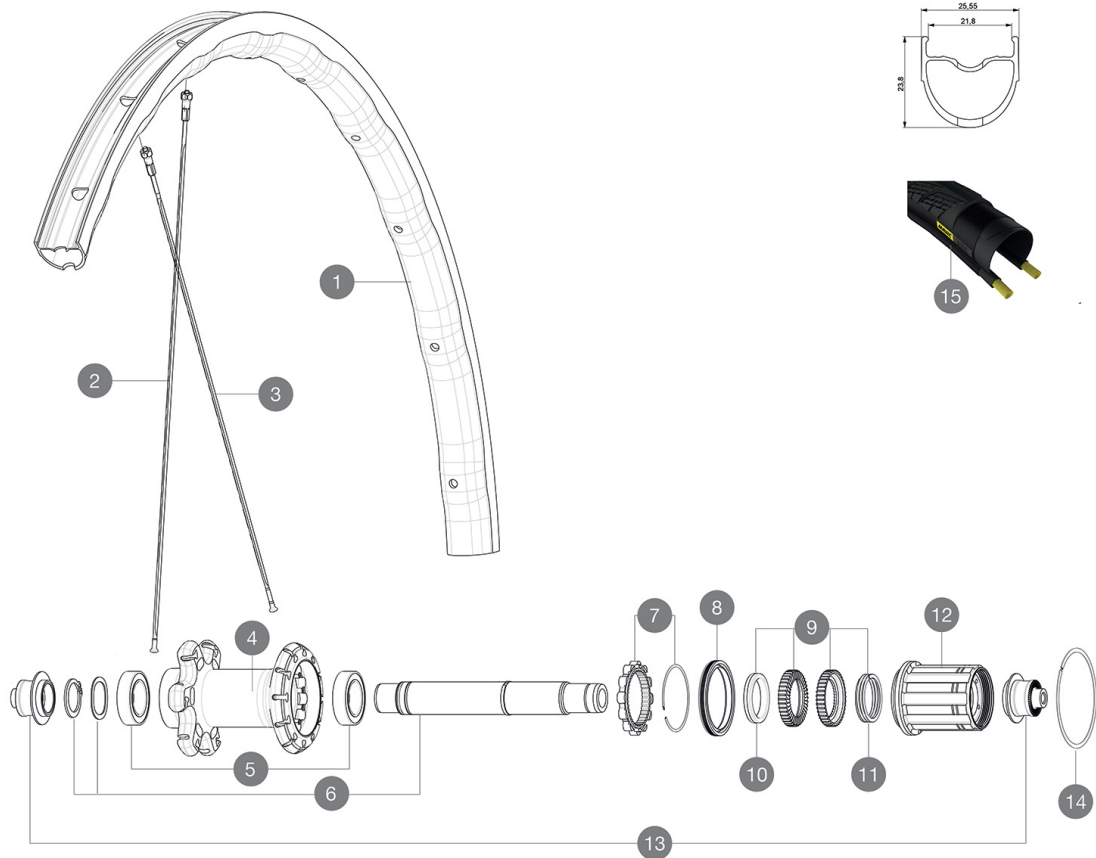
Recommended tyre sizes: 28 to 62 mm (1.1" to 2.5")

Max. Pressure: 30mm 5.8 bars - 85 PSI / 40mm 4.5 bars - 65 PSI

Max. Pressure: 30mm 5.8 bars

## REFERENCES WHEELS

R19631 Allroad Elite UB Pr



## RIMS



&NBSP;:

1	V2733913	KIT REAR RIM ALLROAD ELITE UST
	V3720101	25mm UST Tape for 19 to 22mm Road Rims

## SPOKES

2	V3660901	KIT 12 NON DRIVE SIDE BUTTED SPOKES 292mm
3	V3661001	KIT 12 DRIVE SIDE BUTTED SPOKES 274mm

## HUB SHELLS

4	N/A	HUB BODY
5	V2560401	KIT 2 BEARINGS 17x28x7 + WAVED WASHER + CLIP
6	V2252801	KIT ID360 UB REAR AXLE W/CLIP/WAVED WASHER
7	V2252701	KIT ID360 INSERT SHAPED EAR LOBE > 2017
8	V2251601	KIT ID360 SEAL + GREASE
9	V2251701	KIT ID360 2 RATCHETS + SPRING + GREASE
10	V2500501	KIT ID360 3 PADS NOISE REDUCING
11	V2251801	KIT 3 ID360 ROAD SPRINGS
12	V3430101	HG11 Freewheel Body ID360
14	V2252201	KIT 2 REAR HUB RETENTION RINGS 48mm

## TYRES

15	38012230	Yksion Elite Allroad
----	----------	----------------------

## ADAPTERS

13	V2253101	KIT REAR AXLE ADAPTOR QUICK RELEASE ID360
----	----------	---

# MAVIC Allroad Elite UST UB

## DELIVERED WITH

Mavic tyre sealant (rear wheel) (355 466 01)	
Mavic tyre sealant (rear wheel) (355 466 01)	
BR301 quick releases (V24 501 01 frt, V24 502 01 rear)	
BR301 quick releases (V24 501 01 frt, V24 502 01 rear)	
Tyre sealant syringe	
Tyre sealant syringe	
UST valve and accessories (129 838 01)	
UST valve and accessories (129 838 01)	
Multifunction adjustment wrench (325 423 01)	
Multifunction adjustment wrench (325 423 01)	
User guide	
User guide	

## COMPATIBILITY

Freewheel: Shimano/Sram, convertible to Campagnolo and XD-R with optional driver bodies	
Freewheel: Shimano/Sram, convertible to Campagnolo and XD-R with optional driver bodies	
Front axle: Quick Release only	
Front axle: Quick Release only	
Rear axle: Quick Release only	
Rear axle: Quick Release only	

## Specifications

### RIMS

- **Material** : Maxtal
  - **Material** : Maxtal
  - **Height** : 24 mm
  - **Height** : 24 mm
  - **Joint** : SUP
  - **Joint** : SUP
  - **Drilling** : traditional
  - **Drilling** : traditional
  - **Brake track** : UB Control
  - **Brake track** : UB Control
  - **Weight reduction** : ISM 4D
  - **Weight reduction** : ISM 4D
  - **Valve hole diameter** : 6.5 mm
  - **Valve hole diameter** : 6.5 mm
  - **Tyre** : UST Tubeless and tubetype
  - **Tyre** : UST Tubeless and tubetype
  - **Internal width** : 22 mm
  - **Internal width** : 22 mm
  - **ETRTO size** : 622x22TC Road
  - **ETRTO size** : 622x22TC Road
- Use with Mavic Tubeless Tape

### SPOKES

- **Material** : steel
- **Material** : steel

### WHEEL HUB

- **Front and rear bodies** : aluminum
- **Front and rear bodies** : aluminum
- **Axle material** : aluminum
- **Axle material** : aluminum
- **Front bearings** : adjustable sealed cartridge bearings (QRM+), Rear bearings auto adjust sealed cartridge bearings (QRM Auto)
- **Front bearings** : adjustable sealed cartridge bearings (QRM+), Rear bearings auto adjust sealed cartridge bearings (QRM Auto)
- **Freewheel** : Instant Drive 360
- **Freewheel** : Instant Drive 360

### VERSIONS

- **Color** : Black only

### WHEEL WEIGHTS

905