

## ASTM CATEGORY 3 : CROSS COUNTRY AND TRAIL RIDING

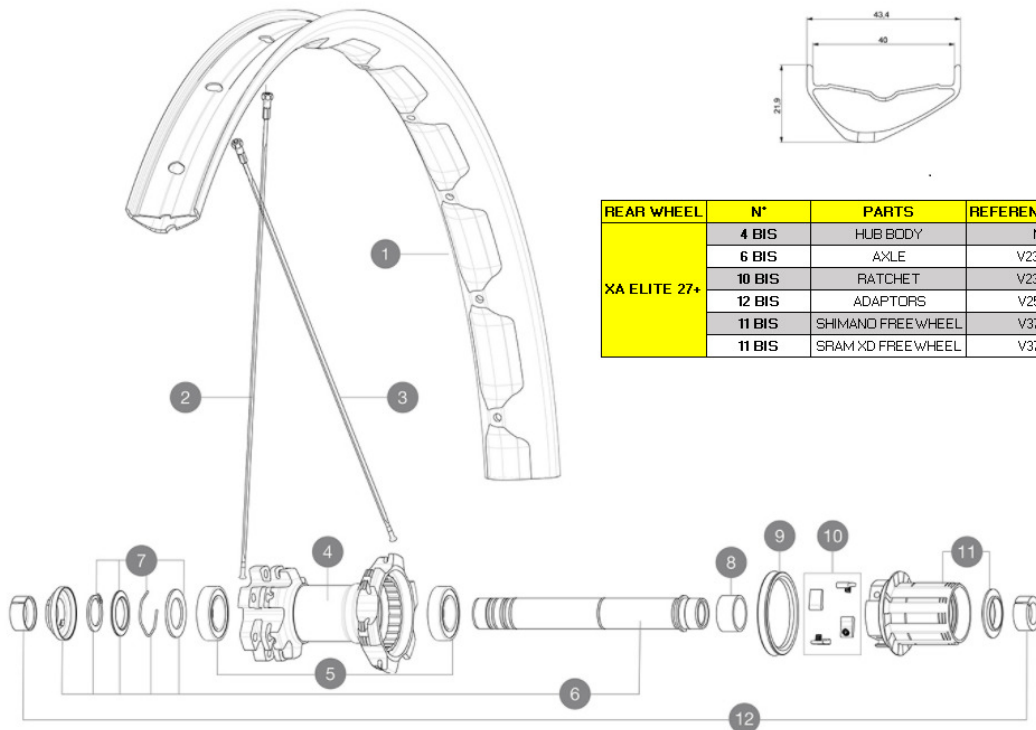
For a longer longevity of the wheel, Mavic recommends that the total weight supported by the wheels don't exceed 120kg, bike included

Recommended tyre sizes: 60mm to 81mm (2.5" to 3.2")

## REFERENCES WHEELS

R22611 XA Elite 27+ Rr Bst XD NT

R20861 XA Elite 27+ Rr Bst NT



REAR WHEEL	N°	PARTS	REFERENCE BOOST
XA ELITE 27+	4 BIS	HUB BODY	N/A
	6 BIS	AXLE	V2372201
	10 BIS	RATCHET	V2375201
	12 BIS	ADAPTORS	V2510701
	11 BIS	SHIMANO FREEWHEEL	V3780101
	11 BIS	SRAM XD FREEWHEEL	V3740101

## RIMS



&NBSP;:

1	V2319115 V3700101	KIT FRONT/REAR RIM E-XA/XA ELITE 27,5" + 40 TSS 43mm UST Tape For 40mm Wide Rims
---	----------------------	---

## SPOKES

2	V2386201	KIT 12 FRT/REAR E-XA/XA ELITE 27,5" BLACK NIPPLES - white s
2	V3666501	KIT 12 FRT/NDS AKSIUM ELITE UST Disc 650B FLAT SPOKE 277mm +

## HUB SHELLS

4	N/A	HUB BODY
	N/A	HUB BODY
5	M40076	HUB BEARINGS 17x30x7 6903 x 2
6	V2371201	KIT REAR QRM AXLE 135-142 / BOOST 148mm
	V2372201	KIT ID360 148 D6T AXLE WITH CLIP
7	V2370401	KIT REAR AUTO ADJUSTING PLAY 12mm AXLE
8	35124501	SET OF 3 REAR AXLE/FREEWHEEL BODY SPACERS MTB L1
9	99610701	ITS-4 FREEWHEEL SEAL
10	99610601	PAWLS KIT FOR ITS-4 (OR TS-2)
	V2375201	KIT ID360 24 TEETH 2 RATCHET + MTB SPRING + PAD (specific)
11	35126001	ITS-4 FREEWHEEL BODY + SEAL 2013 (NO PAWLS)
	V3780101	HG9 Alloy MTB Freewheel Body ID360
	V3740101	XD MTB Freewheel Body ID360

## ADAPTERS

12	V2371401 V2510701	YELL RR AXLE SUPPORT BOOST 148mm SELF ADJUST ID360V2RrAxleAdapt12x142/148
----	----------------------	--

# MAVIC XA Elite 27+

2018  
REAR

## DELIVERED WITH

UST valve and accessories (129 838 01)	
Tubeless rim tape	
User guide	

## COMPATIBILITY

Freewheel: Shimano/Sram or XD	
-------------------------------	--

## Specifications

### RIMS

- **Material** : S6000 Aluminum
- **Joint** : SUP
- **Drilling** : traditional
- **Weight reduction** : ISM
- **Valve hole diameter** : 6.5 mm
- **Tyre** : UST Tubeless and tubetype
- **Internal width** : 40 mm
- **ETRTO size 27.5"** : 584x40TSS  
Hookless profile

Use with Mavic Tubeless Tape

### SPOKES

- **Material** : steel
- **Shape** : straight pull, bladed
- **Count** : 24 front and rear
- **Lacing** : front and rear crossed 2

### WHEEL HUB

- **Front and rear bodies** : aluminum
- **Axle material** : aluminum
- **Front bearings** : auto adjust sealed cartridge bearings (QRM Auto), Rear bearings sealed cartridge bearings (QRM)
- **Freewheel** : ITS-4 alloy

### VERSIONS

- **Color** : Black only
- **Disc standard** : 6 Bolts only
- **Hub width** : Boost only (front 110, rear 148)

### WHEEL WEIGHTS

1055