

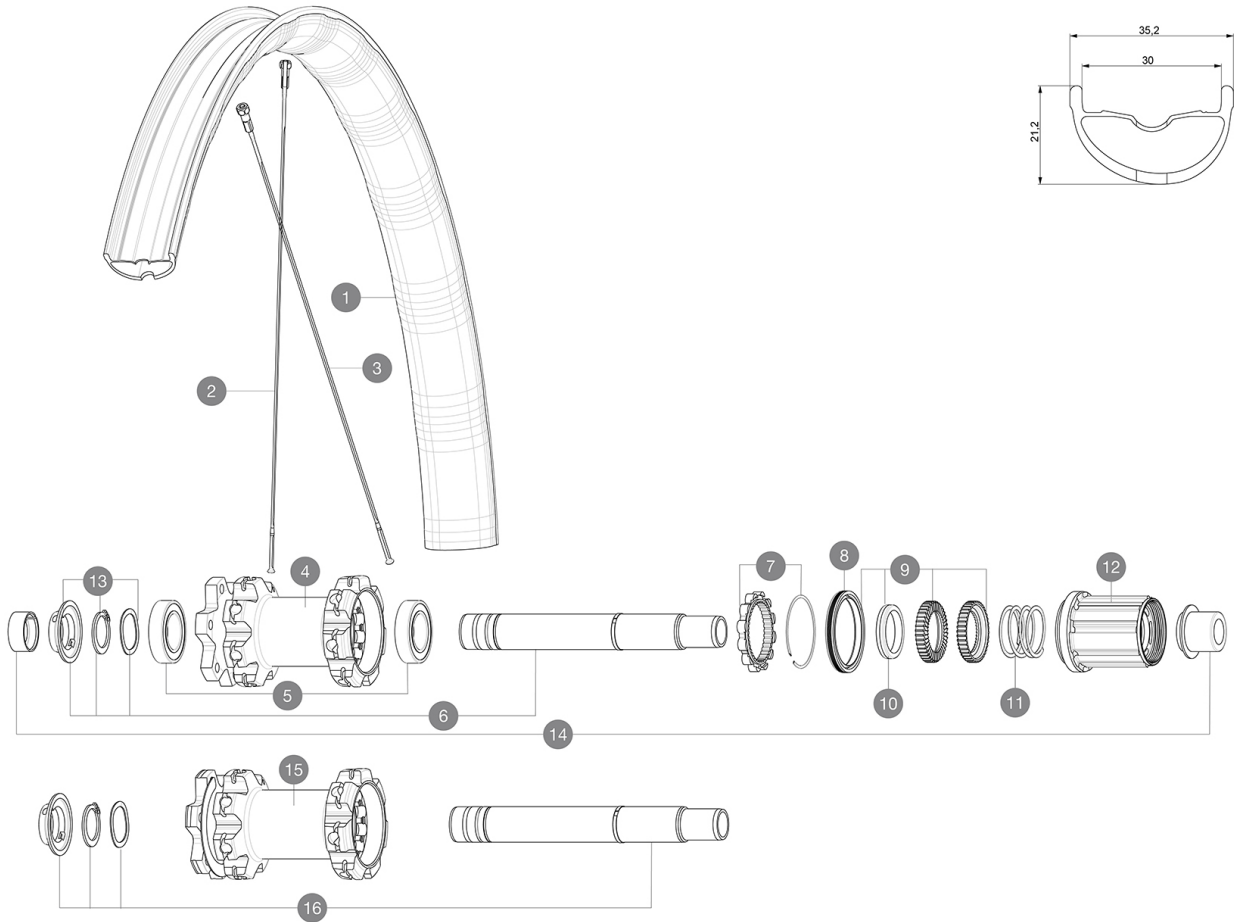
ASTM CATEGORY 4 : ENDURO AND TRAIL RIDING

For a longer longevity of the wheel, Mavic recommends that the total weight supported by the wheels don't exceed 150kg, bike included

Recommended tyre sizes: 60mm to 76mm (2.35" to 3.0")

REFERENCES WHEELS

R28591	E-Xa30 Elite 29 Rr	R28621	E-XA30 Elite 29 Rr Boost
R28611	E-Xa30 Elite 29 Rr XD	R28631	E-Xa30 Elite 29 Rr Bst XD Bk



RIMS



&NBSP;:

1	V3763513	KIT REAR RIM E-XA ELITE 19 29"
	V3750101	35mm UST Green Tape for 30mm wide rims

SPOKES

2	V3821101	KIT 14 NDS DEEMAX ELITE/E-XA ELITE 19 29 FLAT BUTTED SPOKE 3
3	V3820801	KIT 14 DS DEEMAX ELITE/E-XA ELITE 19 29" FLAT BUTTED SPOKE

HUB SHELLS

4	N/A	HUB BODY
5	M40076	HUB BEARINGS 17x30x7 6903 x 2
6	V2372101	KIT ID360 135/142 D6T AXLE WITH CLIP
7	V2252701	KIT ID360 INSERT SHAPED EAR LOBE > 2017
8	V2251601	KIT ID360 SEAL + GREASE
9	V2375201	KIT ID360 24 TEETH 2 RATCHET + MTB SPRING + PAD (specific)
10	V2375401	KIT ID360 MTB 24T 3 NOISE REDUCING PADS
11	V2372901	KIT 3 ID360 MTB SPRINGS
12	V3790101	HG9 Steel MTB Freewheel Body ID360
13	V2373001	KIT ADJUST. SYSTEM QRM AUTO ID360 for 17x30x7 bearing
15	N/A	HUB BODY
16	V2372201	KIT ID360 148 D6T AXLE WITH CLIP


ADAPTERS

14	V2510701	ID360V2RrAxleAdapt12x142/148
	V2510801	ID360 V2 RrAxleAdapt9x135

MAVIC E-XA30 Elite 29

2019
REAR

DELIVERED WITH

Computer magnet (105 416 01)	
UST valve and accessories (129 838 01)	
Specific disc bolts (308 719 01)	
Tubeless rim tape	

COMPATIBILITY

Freewheel: Shimano/Sram or XD	
Front axle: 15mm, convertible to 20mm thru axle with included adapters	
Freewheel: Shimano Micro Spline	

Specifications

RIMS

- **Material** : Mactal
 - **Joint** : SUP
 - **Drilling** : traditional
 - **Weight reduction** : ISM 4D
- E-Bike specific rim profile
- **Valve hole diameter** : 6.5 mm
 - **Tyre** : UST Tubeless and tubetype
 - **Internal width** : 30 mm
- Use with Mavic Tubeless Tape
- **ETRTO size 27.5"** : 584x30TSS
 - **ETRTO size 29"** : 622x30TSS

SPOKES

- **Material** : steel
- **Shape** : straight pull, flat, double butted
- **Count** : 28 front and rear
- **Lacing** : front and rear crossed 3

WHEEL HUB

- **Front and rear bodies** : aluminum
 - **Axle material** : aluminum
- Auto adjust sealed cartridge bearings (QRم Auto), front and rear
- **Freewheel** : Instant Drive 360 steel

VERSIONS

- **Disc standard** : 6 Bolts only
- **Hub width** : Boost only (front 110, rear 148)
- **Freewheel** : Shimano/Sram or XD

WHEEL WEIGHTS