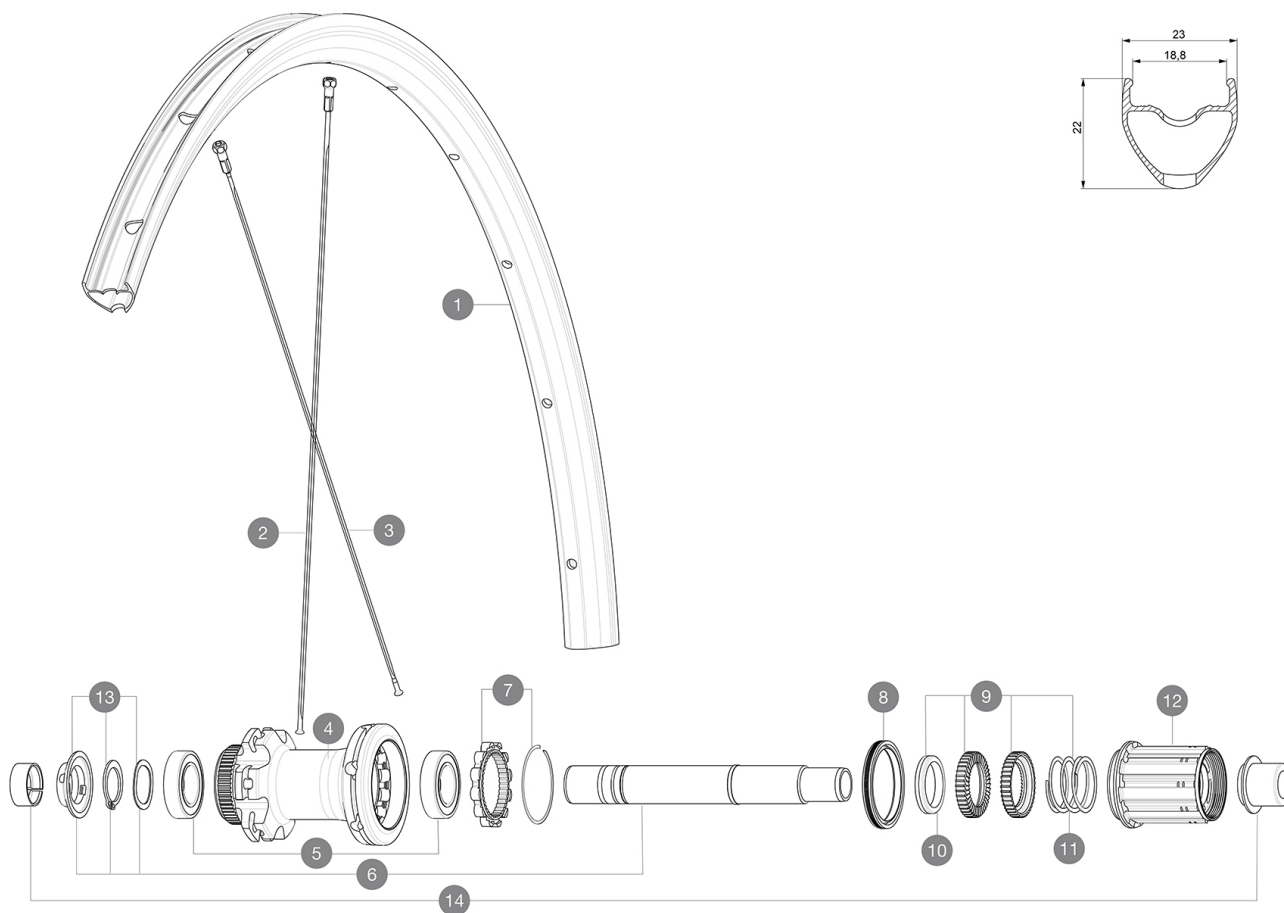


REFERENCES WHEELS



RIMS



&NBSP;:

| | | |
|---|-----------------|--|
| 1 | jantearroutedis | REAR ROAD DISC RIM |
| | V2620101 | UST RIM TAPE 25mm (for 21-24mm wide rim) |

SPOKES

| | | |
|---|----------|--|
| 2 | V3666501 | KIT 12 FR7/NDS AKSIUM ELITE UST Disc 650B FLAT SPOKE 277mm + |
| 3 | V3666601 | KIT 12 DS BUTTED SPOKE 273 AKSIUM ELITE UST Disc 650B + nipp |

HUB SHELLS

| | | |
|----|----------|--|
| 4 | N/A | HUB BODY |
| 5 | V2560201 | KIT ID360 BEARINGS 15/28/7 + 17/28/7 |
| 6 | V2373401 | KIT ID360 135/142 DCL L1 AXLE WITH CLIP |
| 7 | V2252701 | KIT ID360 INSERT SHAPED EAR LOBE > 2017 |
| 8 | V2251601 | KIT ID360 SEAL + GREASE |
| 9 | V2251701 | KIT ID360 2 RATCHETS + SPRING + GREASE |
| 10 | V2500501 | KIT ID360 3 PADS NOISE REDUCING |
| 11 | V2251801 | KIT 3 ID360 ROAD SPRINGS |
| 12 | V4000101 | HG11 STEEL ROAD FREE HUB BODY ID360 - while stock last |
| 12 | V3430101 | HG11 Freewheel Body ID360 |
| 13 | V2560501 | KIT ADJUST. SYSTEM QRM AUTO ID360 for 17x28x7 bearing |

ADAPTERS

| | | |
|----|----------|--------------------------------|
| 14 | V2510701 | ID360V2RrAxleAdapt12x142/148 |
| | V2510901 | ID360 EVO RrAxleAdpt12x135/150 |
| | V2510801 | ID360 V2 RrAxleAdapt9x135 |

MAVIC **Aksium Elite UST Disc 650B****DELIVERED WITH**

| | |
|--|--|
| Front QR adapters (996 941 01 for MTB or B41 043 01 for road) | |
| Front QR adapters (996 941 01 for MTB or B41 043 01 for road) | |
| Rear QR adapters for Instant Drive 360 (B49 894 01) | |
| Rear QR adapters for Instant Drive 360 (B49 894 01) | |

COMPATIBILITY

| | |
|--|--|
| Rear axle: 12mm thru axle, convertible to Quick Release with included adapters | |
| Rear axle: 12mm thru axle, convertible to Quick Release with included adapters | |

Specifications**RIMS**

Use with Mavic Tubeless Tape
Use with Mavic Tubeless Tape

WHEEL HUB

- **Rear** : Quick Release, 12x142 and 12x135 compatible
- **Rear** : Quick Release, 12x142 and 12x135 compatible

VERSIONS

- **Disc standard** : Center Lock(R) only
- **Disc standard** : Center Lock(R) only

WHEEL WEIGHTS