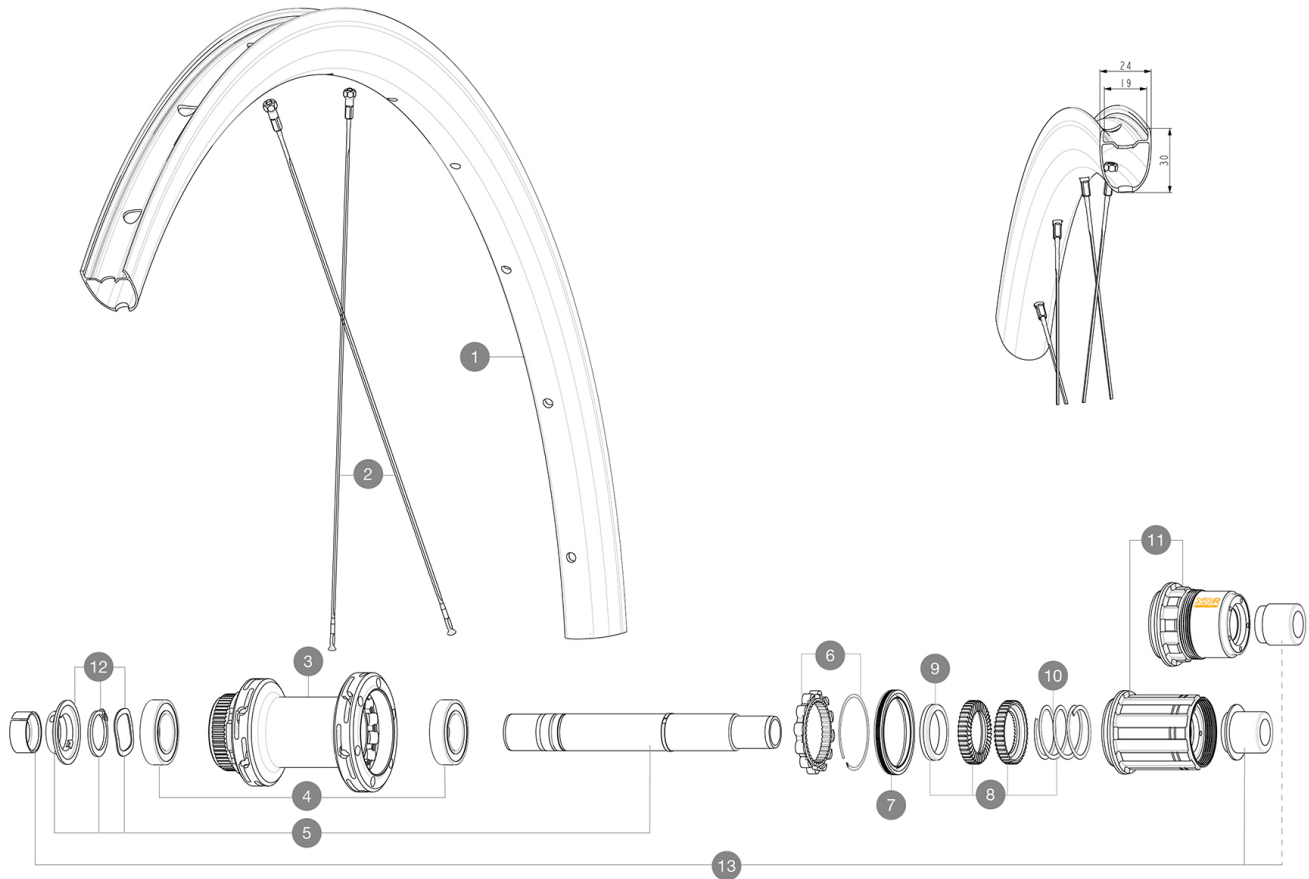


MAVIC KSYRIUM 30 DISC

Maximum tyre pressure: 4.4bar/64PSI with a 28mm tyre - 2.6bar/38PSI with a 64mm tyre
 ASTM CATEGORY 2 : road and offroad with jumps less than 15cm
 For a longer longevity of the wheel, Mavic recommends that the total weight supported by the wheels doesn't exceed 120kg, bike included
 Maximum tyre pressure: 6.75bar/97PSI with a 23mm tyre - 3.8bar/55PSI with a 62mm tyre
 Recommended tire sizes: 25 to 32 mm
 Max. Pressure: see indication on wheel and tire. If they differ, use the lowest of the 2
 Maximum tyre size: width 62mm - pressure max. 3.8Bar/55PSI

REFERENCES WHEELS

R40411	KSYRIUM 30 CL 700 12X142 M11	R40421	KSYRIUM 30 CL 700 12X142 XDR
--------	------------------------------	--------	------------------------------



RIMS



&NBSP::

1	V00004531	Kit Front/Rear rim Ksyrium 30 Disc
	V3720101	25mm UST Tape for 19 to 22mm Road Rims

SPOKES

2	V00005131	Kit 12 Front/Rear Ksyrium 30 Disc butted spoke 287mm + black
---	-----------	--

HUB SHELLS

3	N/A	HUB BODY
4	M40076	HUB BEARINGS 17x30x7 6903 x 2
5	V2373401	KIT ID360 135/142 DCL L1 AXLE WITH CLIP
6	V2252701	KIT ID360 INSERT SHAPED EAR LOBE > 2017
7	V00063631	Kit ID360 seal version 2 (larger)
8	V2251701	KIT ID360 2 RATCHETS + SPRING + GREASE
9	V2500501	KIT ID360 3 PADS NOISE REDUCING
10	V2251801	KIT 3 ID360 ROAD SPRINGS
11	V3430101	HG11 Freewheel Body ID360
11	V2580101	FREEHUB BODY XD Road ID360
12	V2373001	KIT ADJUST. SYSTEM QRM AUTO ID360 for 17x30x7 bearing

ADAPTERS

13	V2510701	ID360V2RrAxleAdapt12x142/148
	V2510901	ID360 EVO RrAxleAdpt12x135/150
	V2510801	ID360 V2 RrAxleAdapt9x135

MAVIC KSYRIUM 30 DISC

DELIVERED WITH

Mavic tyre sealant (rear wheel) (355 466 01)	
Front QR adapters	
Front QR adapters	
Rear QR adapters for Instant Drive 360 (B49 894 01)	
Rear QR adapters for Instant Drive 360 (B49 894 01)	
UST valve and accessories (129 838 01)	
UST valve and accessories (129 838 01)	
Pre-installed tubeless rim tape	
Pre-installed tubeless rim tape	
User guide	
User guide	

COMPATIBILITY

Freewheel: Shimano/Sram, convertible to Campagnolo ED11, N3W and XD-R with optional driver bodies	
Front axle: 12x100 thru axle, easily convertible to quick release with included adapters. Not compatible with 15mm through axles.	
Freewheel body: convertible SRAM XD road (kit V2580101 sold separately)	
Rear axle: 12mm thru axle, convertible to Quick Release with included adapters	
Freewheel body: convertible SHIMANO HG light road (kit V3850101 sold separately)	
Freewheel body: convertible SHIMANO MS (kit V3990101 sold separately)	
Freewheel body: convertible CAMPAGNOLO ED (kit V3440101 sold separately)	
Front axle: 12x100 thru axle, easily convertible to quick release with included adapters. Not compatible with 15mm through axles.	
FTS-L Shimano / Sram freewheel body ([30871101] - Delivered on the wheel)	
ID360 Sram XD freewheel body (V3740101)	
Rear axle: for fixing nuts only (included), M9x1 thread	
Instant Drive 360 freewheel technology The new Instant Drive 360 freewheel system is super light and fast to engage with only 9°. A large contactless rubber seal provides low friction, while a wide array of end caps makes it super versatile.	
ID360 Shimano Micro Spline alloy freewheel body (V3990101)	

Specifications

RIMS

- **Material** : Mxxtal
 - **Material** : Mxxtal
 - **Height** : 30 mm
 - **Height** : 30 mm
 - **Joint** : SUP welding technology
 - **Joint** : SUP welding technology
 - **Drilling** : traditional
 - **Internal width** : 19 mm
- Disc brake specific profile
- **Tire** : UST Tubeless and tubetype
 - **Drilling** : traditional
 - **Internal width** : 19 mm
- Disc brake specific profile
- **ETRTO size** : 622x19TC
 - **ETRTO size** : 622x19TC
 - **Tire** : clincher

WHEEL HUB

- **Body** : aluminum
- Infinity hubs
- **Front and rear bodies** : aluminum
 - **Axle material** : aluminum
- Instant Drive 360 freewheel technology
QRM Auto bearing preload technology
- **Front** : Quick release and 12x100 through axle compatible
 - **Rear** : Quick Release, 12x142 and 12x135 compatible
- Hub available for Center Lock brake rotors only
- **Body design** : INFINITY
 - **Disc standard** : Center Lock® only
 - **Axle material** : aluminum
 - **Axle size** : front 12x100 / rear 12x142 - Convertible to quick release with included adapters

WHEEL WEIGHTS

953