

# MAVIC COSMIC SL 40 LTD

1  
2023  
FRONT

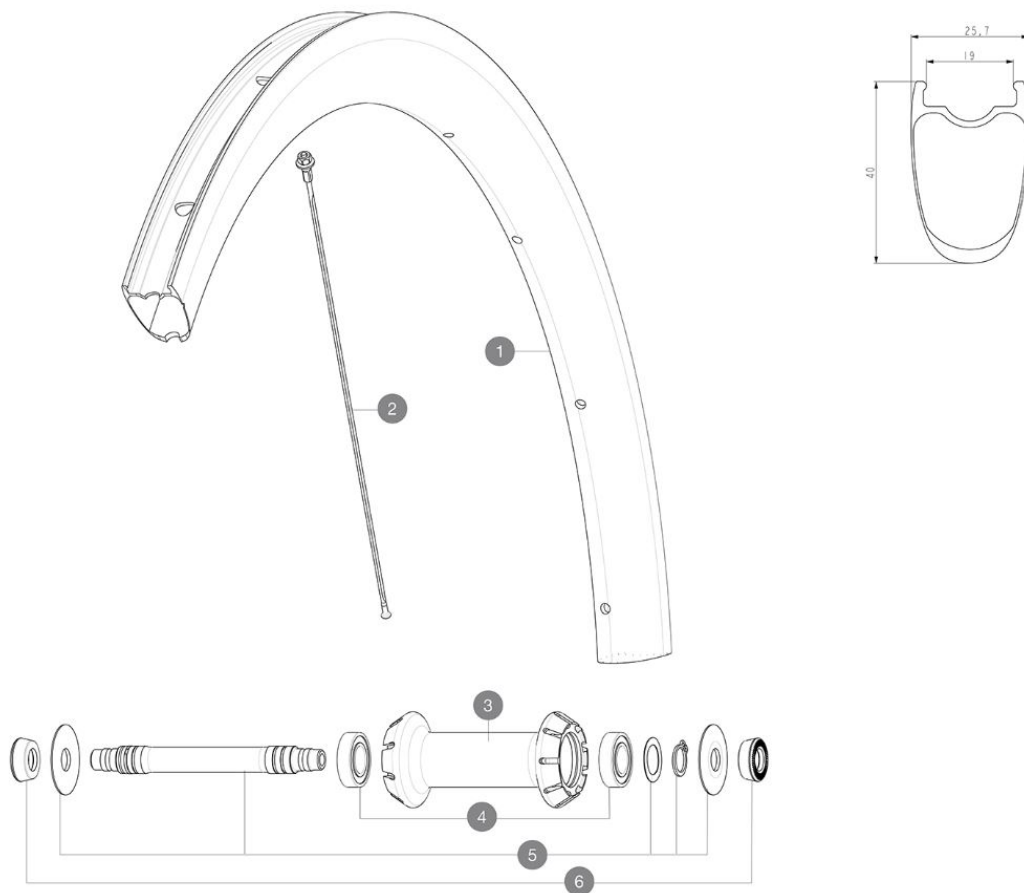
ASTM CATEGORY 1 : road only

For a longer longevity of the wheel, Mavic recommends that the total weight supported by the wheels doesn't exceed 120kg, bike included

Recommended tire sizes: 25 to 32 mm

Max. Pressure: see indication on wheel and tire. If they differ, use the lowest of the 2

## RÉFÉRENCES ROUES



### JANTES



&NBSP;:

1	V00063201	Kit Front rim Cosmic SL40 Ltd
	V3720101	25mm UST Tape for 19 to 22mm Road Rims

### RAYONS

2	V4163001	Kit 9 front Cosmic SL 40 RB butted stainless spoke 271mm + s
---	----------	--

### MOYEUR

3	N/A	CORPS DE MOYEU
4	M40078	ROULEMENTS MOYEU AVT 6901
5	V2375801	Kit front axle RB for QRM auto hub + hoobster + wave washer

### ADAPTATEURS

6	35117301	FRONT OR REAR FORK REST KIT R-SYS 2013
---	----------	--

# MAVIC COSMIC SL 40 LTD

2023  
FRONT

## LIVRE AVEC

BR301 quick releases (V24 501 01 frt, V24 502 01 rear)	
Carbon brake pads (V24 603 01 Shimano/Sram, V24 604 01 Campagnolo)	
UST valve and accessories (129 838 01)	
Pre-installed tubeless rim tape	
User guide	

## COMPATIBILITE

Freewheel: Shimano/Sram, convertible to Campagnolo ED11, N3W and XD-R with optional driver bodies	
Front axle: Quick Release only	
Rear axle: Quick Release only	

## Spécifications

### JANTES

- **Material** : 100% carbon fiber
  - **Height** : 40 mm
  - **Drilling** : traditional
  - **Tire** : UST Tubeless and tubetype
  - **Internal width** : 19 mm
  - **ETRTO size** : 622x19TC
- Use with Mavic Tubeless Tape  
UST tubeless technology  
iTgMAX carbon clincher technology for rim brake

### RAYONS

- **Material** : steel
  - **Shape** : straight pull, flat, double butted
  - **Nipples** : aluminum, ABS
  - **Count** : front 18, rear 24
  - **Lacing** : front crossed 2, rear Isopulse
- Isopulse lacing design

### MOYEUX

- **Front and rear bodies** : aluminum
  - **Axle material** : aluminum
- Instant Drive 360 freewheel technology  
QRM Auto bearing preload technology

### VERSIONS

- **Freewheel** : Shimano/Sram

### POIDS ROUES

705