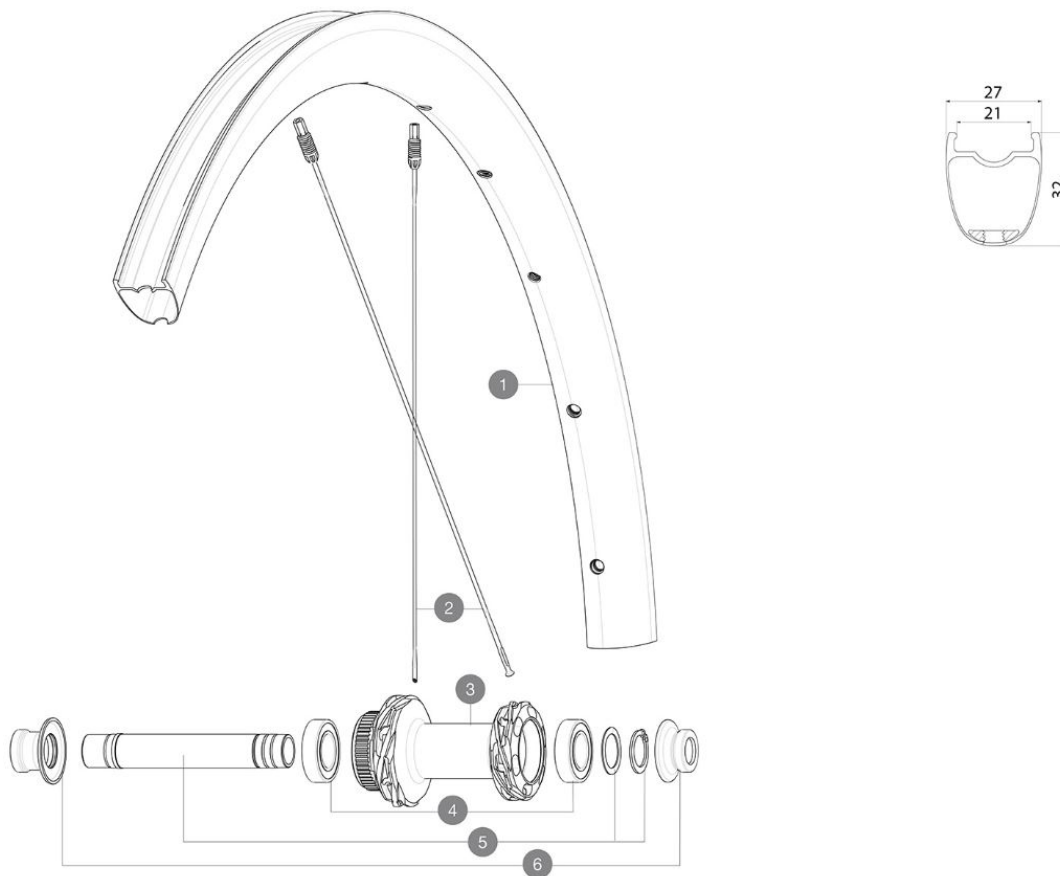


# MAVIC COSMIC SLR 32 LTD

1  
2023  
FRONT

ASTM CATEGORY 2 : road and offroad with jumps less than 15cm  
For a longer longevity of the wheel, Mavic recommends that the total weight supported by the wheels doesn't exceed 120kg, bike included  
Recommended tire sizes: 25 to 32 mm  
Max. Pressure: see indication on wheel and tire. If they differ, use the lowest of the 2

## RÉFÉRENCES ROUES



### JANTES



&NBSP;:

1 V00063431 Kit Front/Rear rim Cosmic SLR32 Ltd

### RAYONS

2 V4164801 Kit 12 CosmicSLR32 Disc aero sspk M6 291

### MOYEUX

3 N/A CORPS DE MOYEU  
3 N/A CORPS DE MOYEU  
4 M40129 KIT 2 BEARINGS 6902 15x28x7  
5 V2373301 KIT QRM AUTO FRONT AXLE 12mm > 2019

### ADAPTATEURS

6 V2374701 KIT FRONT ROAD FORK REST 12mm FOR J BENT DISC HUB  
V2680301 Kit Ft Road Adapter 12 >> 9mm

# MAVIC COSMIC SLR 32 LTD

## LIVRE AVEC

UST valve and accessories (129 838 01)	
User guide	

## COMPATIBILITE

Freewheel: Shimano/Sram, convertible to Campagnolo ED11, N3W and XD-R with optional driver bodies	
Rear axle: 12mm thru axle, convertible to Quick Release with optional adapters and axle replacement	
Front axle: 12x100 thru axle, easily convertible to quick release with optional adapters. Not compatible with 15mm through axles	

## Spécifications

### JANTES

- **Material** : 100% carbon fiber with UD<sup>2</sup> external layer
  - **Material** : 100% carbon fiber
  - **Height** : 32mm
- Disc brake specific profile
- **Tire** : UST Tubeless and tubetype
  - **Internal width** : 21 mm
  - **ETRTO size** : 622x21TC
- Fore Carbon tapeless tubeless technology  
UST tubeless technology

### RAYONS

- **Material** : steel
- **Shape** : straight pull, elliptical aero, double butted (patented)
- **Nipples** : Fore integrated aluminum
- **Count** : 24 front and rear
- **Lacing** : front and rear crossed 2, contactless

### MOYEUX

- **Front and rear bodies** : aluminum
  - **Axle material** : aluminum
  - **Front** : Quick release and 12x100 through axle compatible
  - **Rear** : Quick Release, 12x142 and 12x135 compatible
- Infinity hubs  
Moyeu disponible avec disque de frein Center Lock uniquement  
Instant Drive 360 freewheel technology  
QRM Auto bearing preload technology

### VERSIONS

- **Disc standard** : Center Lock<sup>®</sup> only
- **Freewheel** : Shimano/Sram

### POIDS ROUES

630