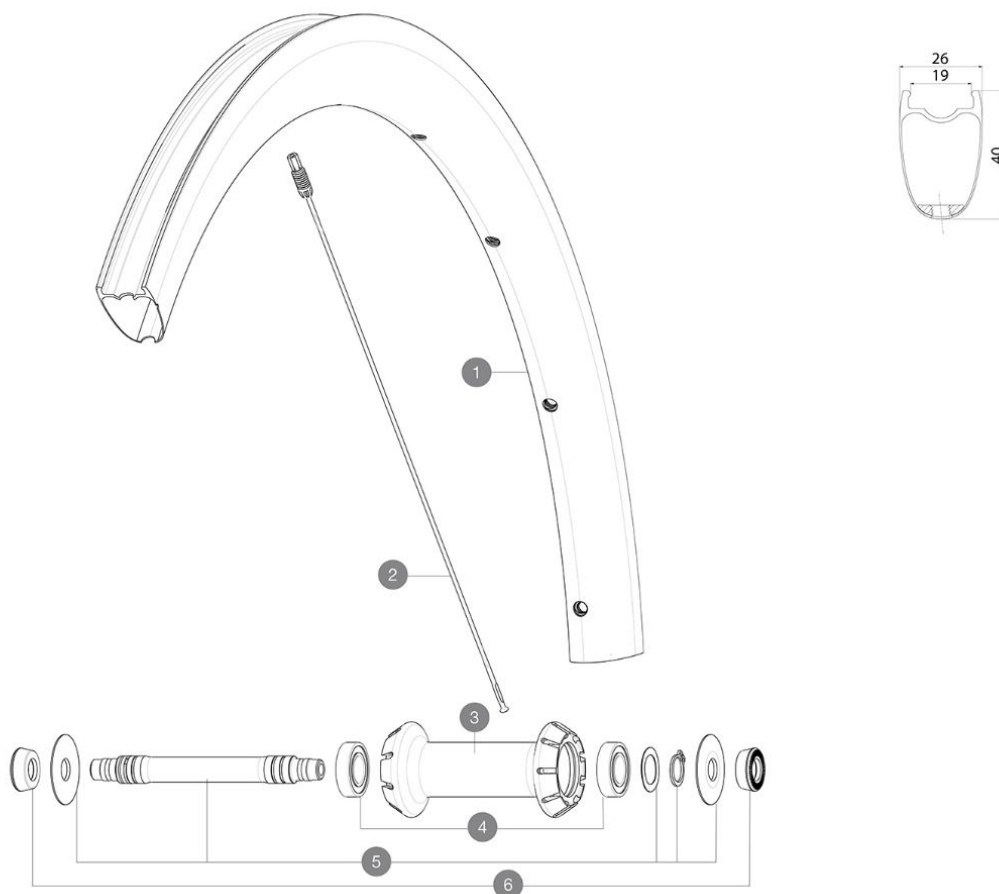


ASTM CATEGORY 1 : road only

**REFERENZE RUOTE**



**RIMS**



&NBSP;:

|          |           |                                |
|----------|-----------|--------------------------------|
| <b>1</b> | V00063001 | Kit Front rim Cosmic SLR40 Ltd |
|----------|-----------|--------------------------------|

**SPOKES**

|          |          |  |
|----------|----------|--|
| <b>2</b> | V3669501 | Kit 9 Ft Cosmic SLR40 aero ss spk 277 M6 |
|----------|----------|--|

**HUB SHELLS**

|          |          |   |
|----------|----------|---|
| <b>3</b> | N/A      | CORPO MOZZO   |
| <b>4</b> | M40078   | KIT CUSCINETTI MOZZO ANT. 6901                              |
| <b>5</b> | V2375801 | Kit front axle RB for QRM auto hub + hoobster + wave washer |

**ADAPTERS**

|          |          |  |
|----------|----------|--|
| <b>6</b> | 35117301 | FRONT OR REAR FORK REST KIT R-SYS 2013 |
|----------|----------|--|

# MAVIC COSMIC SLR 40 LTD

## VENDUTO CON

|   |  |
|---|--|
| BR301 quick releases<br>(V24 501 01 frt, V24 502 01 rear)             |  |
| Carbon brake pads<br>(V24 603 01 Shimano/Sram, V24 604 01 Campagnolo) |  |
| UST valve and accessories<br>(129 838 01)                             |  |
| User guide  |  |

## COMPATIBILITY

|   |  |
|---|--|
| Freewheel: Shimano/Sram, convertible to Campagnolo ED11, N3W and XD-R with optional driver bodies |  |
|---|--|

## Specifications

### CERCHIONI

- **Material** : 100% carbon fiber
  - **Height** : 40 mm
  - **Valve hole diameter** : 6.5 mm
  - **Tire** : UST Tubeless and tubetype
  - **Internal width** : 19 mm
  - **ETRTO size** : 622x19TC
- Fore Carbon tapeless tubeless technology  
UST Tubeless Ready

### RAGGI

- **Material** : steel
  - **Shape** : straight pull, elliptical aero, double butted (patented)
  - **Nipples** : Fore integrated aluminum
  - **Count** : front 18, rear 24
  - **Lacing** : front radial, rear Isopulse
- Isopulse lacing design

### MOZZO

- **Front and rear bodies** : aluminum
  - **Axle material** : aluminum
- Instant Drive 360 freewheel technology  
QRM Auto bearing preload technology

### VERSIONS

- **Freewheel** : Shimano/Sram

### PESI RUOTE

640