

# MAVIC Cosmic SLR 45 Disc

1  
2021  
FRONT

ASTM CATEGORY 2 : road and offroad with jumps less than 15cm

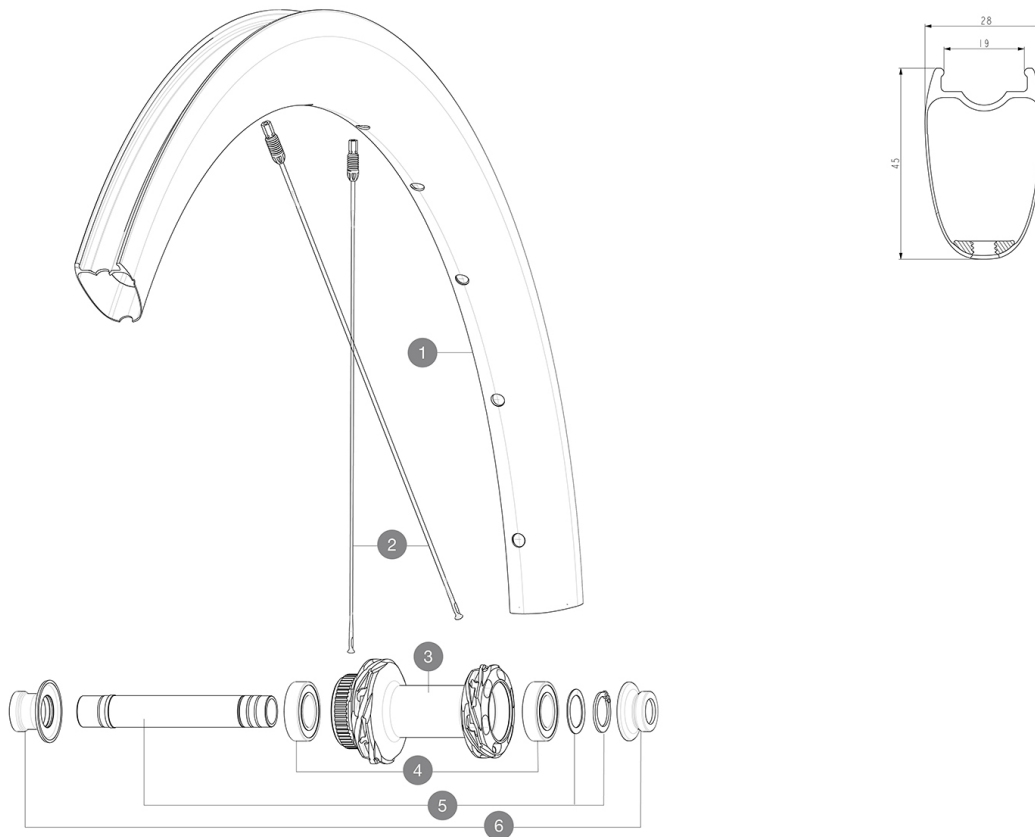
For a longer longevity of the wheel, Mavic recommends that the total weight supported by the wheels doesn't exceed 120kg, bike included

Recommended tyre sizes: 25 to 32 mm

Max. Pressure: see indication on wheel and tyre. If they differ, use the lowest of the 2

## REFERENZE RUOTE

F90181 Cosmic SLR 45 DCL Ft



## RIMS



&NBSP;:

- |   |          |  |
|---|----------|--|
| 1 | V4095015 | Kit Front/Rear rim Cosmic SLR 45 Disc MY22               |
| 1 | V4093615 | Kit Front/Rear rim Cosmic SLR 45 Disc - while stock last |

## SPOKES

- |   |          |  |
|---|----------|--|
| 2 | V4163701 | Kit 12 Front/Rear Cosmic SLR 45 Disc aero stainless spoke 27 |
|---|----------|--|

## HUB SHELLS

- |   |          |                                     |
|---|----------|-------------------------------------|
| 3 | N/A      | CORPO MOZZO                         |
| 3 | N/A      | CORPO MOZZO                         |
| 4 | M40129   | KIT 2 BEARINGS 6902 15x28x7         |
| 5 | V2373301 | KIT QRM AUTO FRONT AXLE 12mm > 2019 |

## ADAPTERS

- |   |          |   |
|---|----------|---|
| 6 | V2374701 | KIT FRONT ROAD FORK REST 12mm FOR J BENT DISC HUB |
|   | V2680301 | "Kit Ft Road Adapter 12 >> 9mm"                   |

**MAVIC** *Cosmic SLR 45 Disc***VENDUTO CON**

UST valve and accessories (129 838 01)	
User guide	

**COMPATIBILITY**

Freewheel: Shimano/Sram, convertible to Campagnolo and XD-R with optional driver bodies	
Perno anteriore: perno passante da 12 mm, facilmente convertibile in un sistema a bloccaggio rapido con adattatori opzionali. Non compatibile con i pe	
Rear axle: 12mm thru axle, convertible to Quick Release with optional adapters	

**Specifications****CERCHIONI**

- **Material** : 100% carbon fiber
  - **Height** : 45 mm
- Disc brake specific profile
- **Tire** : UST Tubeless and tubetype
  - **Internal width** : 19 mm
  - **ETRTO size** : 622x19TC Road
- Fore Carbon  
UST

**RAGGI**

- **Material** : steel
- **Shape** : straight pull, elliptical aero, double butted (patented)
- **Nipples** : Fore integrated aluminum
- **Count** : 24 front and rear
- **Lacing** : front and rear crossed 2, contactless

**MOZZO**

- **Front and rear bodies** : aluminum
  - **Axle material** : aluminum
  - **Front** : Quick release and 12x100 through axle compatible
  - **Rear** : Quick Release, 12x142 and 12x135 compatible
- Infinity Hub  
Instant Drive 360  
QRM Auto

**VERSIONS**

- **Disc standard** : Center Lock (R) only
- **Freewheel** : Shimano/Sram or XD-Road

**PESI RUOTE**

670