

ASTM CATEGORY 3 : CROSS COUNTRY

For a longer longevity of the wheel, Mavic recommends that the total weight supported by the wheels doesn't exceed 150kg, bike included

Recommended tyre sizes: 50mm to 76mm (2.0" to 3.0")

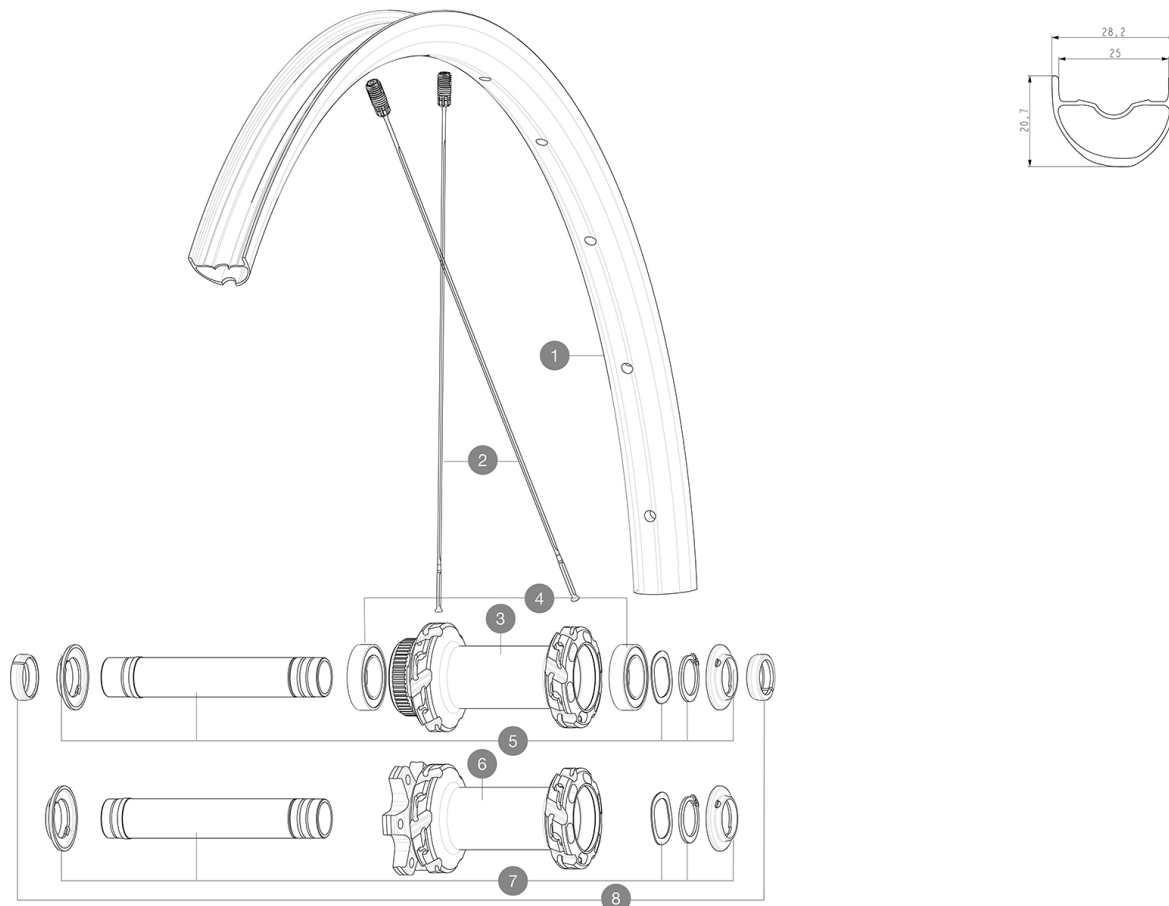
Maximum tyre pressure: 4.1bar/59PSI with a 28mm tyre - 2.45bar/36PSI with a 64mm tyre

Recommended tire sizes: 28 to 64 mm (1.1" to 2.5")

REFERENZE RUOTE

F90452 XMAX SL INT 29 BST

F91952 XMAX SL CL 29 BST



RIMS



&NBSP;:

1	V3765715	Kit Front/Rear rim Crossmax SL 21 29"
---	----------	---------------------------------------

SPOKES

2	V2388301	Kit 12 Front/Rear Crossmax SL/SLS/XL/XLS 29" butted spoke 2
---	----------	---

HUB SHELLS

3	N/A	CORPO MOZZO
4	V2500901	KIT BEARINGS 18x30x7 + WAVED WASHER + CLIP
5	V2375601	Kit 110mm axle QRM auto MTB from 2019 DCL
6	N/A	CORPO MOZZO
7	V2372401	KIT 110mm AXLE QRM AUTO MTB > 2019

OPTIONS

V2374401	TORQUE CAPS 15*31 Adapter MTB QRM Auto > 2019 Frt HUB
----------	---

ADAPTERS

8	V2372501	15mm MTB Axle Cap QRM Auto From 2019
	99694101	2 REDUCERS 15/9mm

VENDUTO CON

2 replacement spokes with each wheel	
UST valve and accessories (129 838 01)	
UST valve and accessories (129 838 01)	
UST valve and accessories (129 838 01)	
UST valve and accessories (129 838 01)	
Multifunction adjustment wrench (delivered with rear wheel) (325 423 01)	
Multifunction adjustment wrench (delivered with rear wheel) (325 423 01)	
Multifunction adjustment wrench (delivered with rear wheel) (325 423 01)	
Multifunction adjustment wrench (delivered with rear wheel) (325 423 01)	
Guida utente	
Fore adjustment wrench	
2 replacement spokes with each wheel	
2 replacement spokes with each wheel	
2 replacement spokes with each wheel	
Fore adjustment wrench	

COMPATIBILITY

Freewheel: Shimano HG9, XD or Micro Spline	
Front axle: 15x110 Boost thru axle	
Rear axle: 12x148 Boost thru axle	
Corpo ruota libera: convertibile SHIMANO HG MTB acciaio (kit V3790101 venduto separatamente)	
Adattatori asse posteriore: 12x148 convertibile in 9x141 (kit V2510801 venduto separatamente)	
Freewheel: Shimano HG9, XD or Micro Spline	
Rear axle: 12x148 Boost thru axle	
Rear axle: 12x148 Boost thru axle	
Front axle: 15x110 Boost thru axle	
Front axle: 15x110 Boost thru axle	
Freewheel: Shimano HG9, XD or Micro Spline	
Front axle: convertibile from 15mm thru axle to Quick Release with adapters (delivered with non-boost wheel)	
Perno anteriore: solo per i dadi di fissaggio (inclusi), filettatura M9x1	

Specifications**CERCHIONI**

- **Material** : S6000 Aluminum
- **Material** : Mxxtal
- **Material** : Mxxtal
- **Material** : Mxxtal
- **Material** : Mxxtal
- **Tire** : UST Tubeless and tubetype
- **Material** : S6000 Aluminum
- **Material** : S6000 Aluminum
- **Internal width** : 25 mm
- **ETRTO size 29"** : 622x25TSS

MOZZO

- **Materiale del corpo** : alluminio Infinity Hub
- **Design del corpo** : INFINITY
- **Axles** : Front 15X110 Boost ; Rear 12X148 Boost
- **Disco standard** : solo 6 fori o Center Lock Hub available with 6-bolt or center lock (R) brake rotors
- **Materiale dell'asse** : alluminio
- **Dimensioni dell'asse** : anteriore 15x110 / posteriore 12x148

PESI RUOTE

785