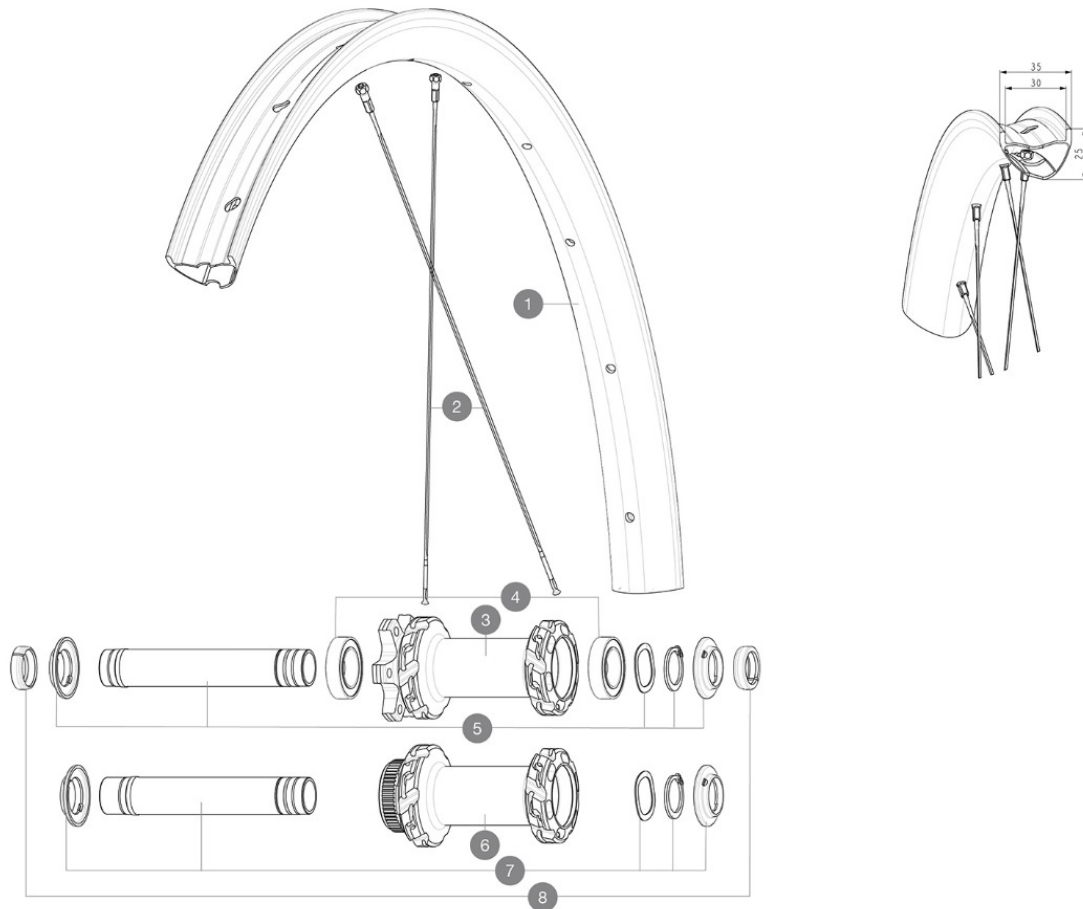


MAVIC **Crossmax SL Ultimate 30 29****REFERENZE RUOTE**

ASTM CATEGORY 3 : CROSS COUNTRY

For a longer longevity of the wheel, Mavic recommends that the total weight supported by the wheels doesn't exceed 120kg, bike included

Recommended tyre sizes: 50mm to 76mm (2.0" to 3.0")

**RIMS**

&NBSP;:

1	V00004631	Kit Front/Rear rim Crossmax SL Ultimate 30
	V3750101	35mm UST Green Tape for 30mm wide rims

SPOKES

2	V00065231	Kit12Ft/Rr MTBcarb29 ss spk293
2	V2389101	Kit 12Ft/Rr XmaxSL Ultimate spk293+np&w while stock last

HUB SHELLS

3	N/A	CORPO MOZZO
4	V2500901	KIT BEARINGS 18x30x7 + WAVED WASHER + CLIP
5	V2372401	KIT 110mm AXLE QRM AUTO MTB > 2019
6	N/A	CORPO MOZZO
7	V2375601	Kit 110mm axle qrm auto MTB from 2019 DCL

OPTIONS

V2374401	TORQUE CAPS 15*31 Adapter MTB QRM Auto > 2019 Frt HUB
----------	---

ADAPTERS

8	V2372501	15mm MTB Axle Cap QRM Auto From 2019
	99694101	2 REDUCERS 15/9mm

VENDUTO CON

UST valve and accessories (129 838 01)	
Pre-installed tubeless rim tape	
Multifunction adjustment wrench (delivered with rear wheel) (325 423 01)	
Wheelbag (V24 801 01)	
2 replacement spokes with each wheel	

COMPATIBILITY

Front axle: 15x110 Boost thru axle	
Freewheel: Shimano HG9, XD or Micro Spline	
Rear axle: 12x148 Boost thru axle	

Specifications**CERCHIONI**

- **Material** : 100% carbon fiber
 - **Drilling** : traditional
 - **Internal width** : 30 mm
- Hookless profile
- **ETRTO size 29"** : 622x30TSS
- UST Tubeless Ready

RAGGI

- **Material** : steel
- **Shape** : straight pull, flat, double butted
- **Nipples** : aluminum, ABS
- **Count** : 24 front and rear
- **Lacing** : front and rear crossed 2

MOZZO

Auto adjust sealed cartridge bearings (QRM Auto), front and rear

- **Freewheel** : Instant Drive 360 double ratchet system

Hub available with 6-bolt or center lock (R) brake rotors

- **Axles** : Front 15X110 Boost ; Rear 12X148 Boost
- Instant Drive 360
QRM Auto

VERSIONS

- **Disc standard** : 6 Bolts or Center Lock (R)
- **Hub width** : Boost only (front 110, rear 148)
- **Freewheel** : SRAM XD, Shimano HG9, Shimano Micro-Spline

PESI RUOTE