

ASTM CATEGORY 5 : GRAVITY RIDING FOCUSED ON THE DESCENT

For a longer longevity of the wheel, Mavic recommends that the total weight supported by the wheels doesn't exceed 150kg, bike included

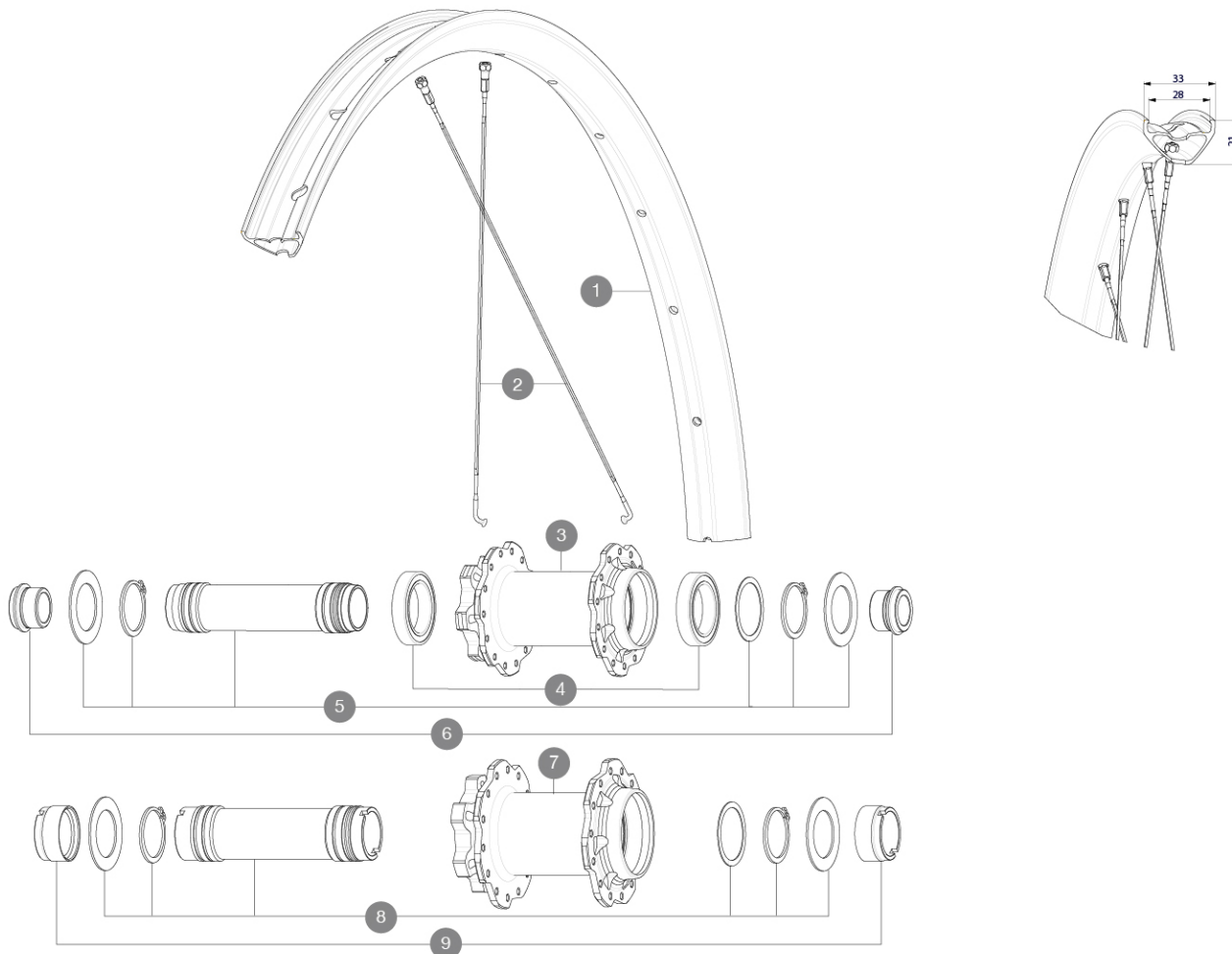
Recommended tyre sizes: 60mm to 76mm (2.35" to 3.0")

Maximum tyre pressure: 3.2bar/46PSI with a 47mm tyre - 2.85bar/41PSI with a 64mm tyre

REFERENZE RUOTE

F92221 Deemax 27,5 21 Ft

F92231 DEEMAX INT 27,5 BST



RIMS



&NBSP;:

1	V2640101	UST RIM TAPE 32mm for 28 to 29mm wide rims
	V3766315	Kit Front/Rear rim Deemax 21 27,5"

SPOKES

2	V2388001	KIT 14 J BENT STEEL SPOKES 281mm DEEMAX DH 27,5" + black st
---	----------	---

HUB SHELLS

3	N/A	CORPO MOZZO
4	M40179	FRONT BEARING 25x37x7 20mm AXLE
5	V2373701	KIT 20x110mm BOOST AXLE QRM AUTO MTB > 2019
7	N/A	CORPO MOZZO
8	V2373801	KIT 20x110mm AXLE QRM AUTO MTB > 2019

ADAPTERS

6	12982801	15mm ADAPTER KIT - 2012 WHEELS
9	12982901	20mm adapter for Crossmax ST/SX (front wheel)

VENDUTO CON

2 replacement spokes with each wheel	
Adattatori boost 20 x 110 mm forniti con ruote anteriori boost	
Adattatori 12 x 150 forniti con ruote posteriori 12 x 157	
Adattatori 20 x 110 mm per larghezze standard forniti con ruote di larghezza standard	
UST valve and accessories (129 838 01)	
UST valve and accessories (129 838 01)	
UST valve and accessories (129 838 01)	
Pre-installed tubeless rim tape	
Pre-installed tubeless rim tape	
Pre-installed tubeless rim tape	
Multifunction adjustment wrench (delivered with rear wheel) (325 423 01)	
Multifunction adjustment wrench (delivered with rear wheel) (325 423 01)	
Multifunction adjustment wrench (delivered with rear wheel) (325 423 01)	
Adattatori 20 x 110 mm per larghezze standard forniti con ruote di larghezza standard	
2 replacement spokes with each wheel	
Adattatori 12 x 150 forniti con ruote posteriori 12 x 157	
2 replacement spokes with each wheel	
20X110mm boost adapters delivered with front Boost wheel	

COMPATIBILITY

Freewheel: Shimano HG9, XD or Micro Spline	
Perno anteriore: perno passante Boost 15x110	
Front axle: 15x110 Boost, convertible to 20x110 Boost thru axle with adapters	
Front axle: 15x110 Boost, convertible to 20x110 Boost thru axle with adapters	
Front axle: 15x110 Boost, convertible to 20x110 Boost thru axle with adapters	
Perno posteriore: perno passante Boost 12x148	
Boost Axles : 15X110 ; 12X148	
Boost Axles : 15X110 ; 12X148	
Boost Axles : 15X110 ; 12X148	
DH spacing axles: 12X150 , 12x157 , 12X157-7speed	
DH spacing axles: 12X150 , 12x157 , 12X157-7speed	
DH spacing axles: 12X150 , 12x157 , 12X157-7speed	
Freewheel: Shimano HG9, XD or Micro Spline	
Freewheel: Shimano HG9, XD or Micro Spline	