

MAVIC ALLROAD S DISC

2021
REAR

ASTM CATEGORY 2 : road and offroad with jumps less than 15cm

For a longer longevity of the wheel, Mavic recommends that the total weight supported by the wheels doesn't exceed 120kg, bike included

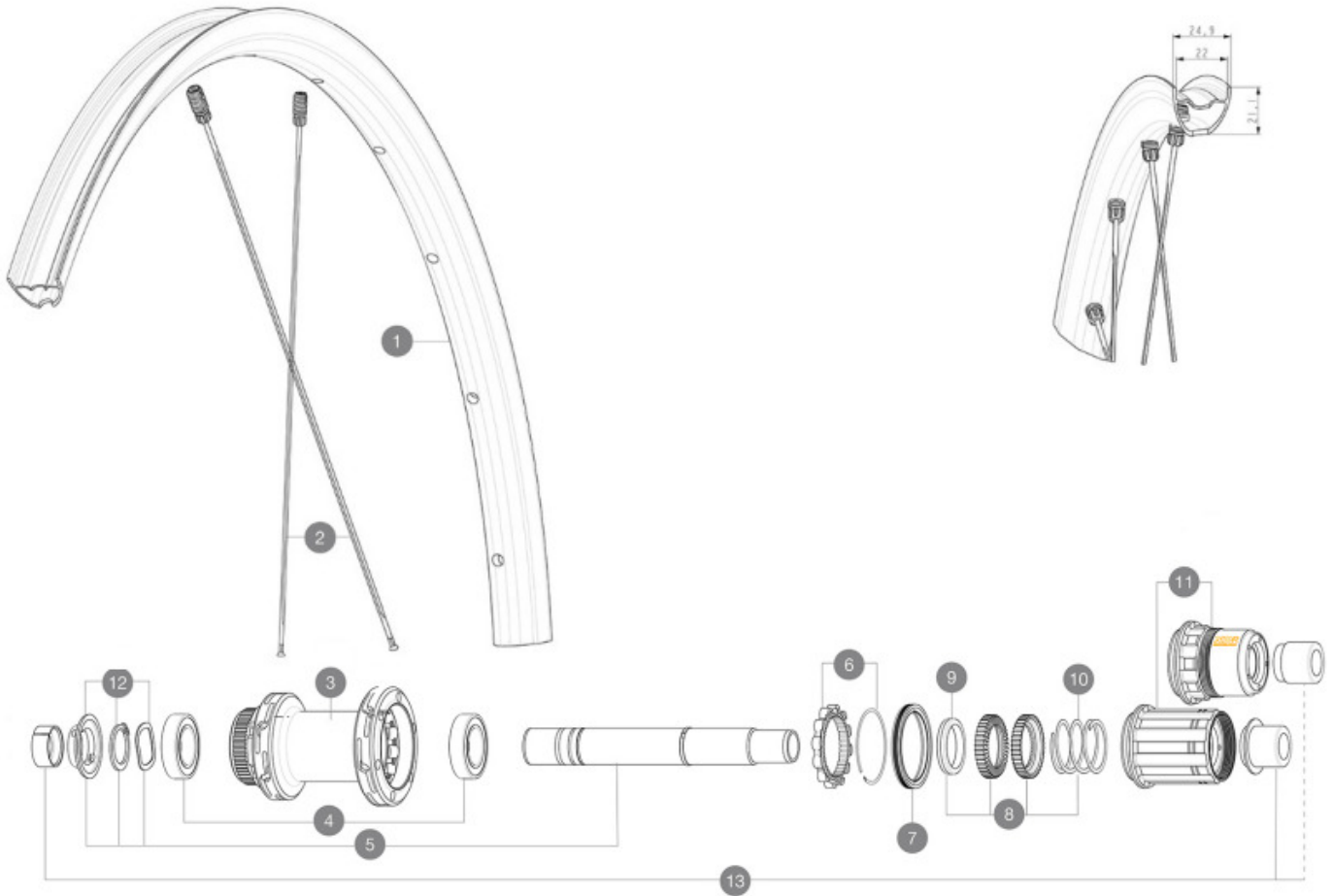
Recommended tyre sizes: 28 to 64 mm (1.1" to 2.5")

Max. Pressure: see indication on wheel and tyre. If they differ, use the lowest of the 2

Maximum tyre pressure: 4.6bar/67PSI with a 28mm tyre - 32.7bar/39PSI with a 64mm tyre

REFERENZE RUOTE

R36751 ALLROAD S CL 700 12X142 M11 R38891 ALLROAD S CL 700 12X142 XDR



RIMS



&NBSP::

1	V00097531	Kit Front/Rear rim Allroad S 23
1	V4092115	Kit Front/Rear rim Allroad S while stock lasts

SPOKES

2	V4162601	Kit 12 Front/Rear Allroad S flat spoke 298 M7/7
---	----------	---

HUB SHELLS

3	N/A	CORPO MOZZO
3	N/A	CORPO MOZZO
4	M40076	HUB BEARINGS 17x30x7 6903 x 2
5	V2373401	KIT ID360 135/142 DCL L1 AXLE WITH CLIP
6	V2252701	KIT ID360 INSERT SHAPED EAR LOBE > 2017
7	V00063631	Kit ID360 seal version 2 (larger)
8	V2251701	ID360 2 RATCHETS + SPRING + GREASE
9	V2500501	Kit 3 ID360 pad for noise reduction
10	V2251801	KIT 3 ID360 ROAD SPRINGS
11	V3430101	HG11 Freewheel Body ID360
11	V2580101	FREEHUB BODY XD Road ID360
12	V2373001	KIT ADJUST. SYSTEM QRM AUTO ID360 for 17x30x7 bearing

OPTIONS

V2510801	ID360 EVO REAR AXLE ADAPTERS 9x135mm DCL & D6T
V2510901	ID360 EVO REAR AXLE ADAPTERS 12x135mm DCL & D6T

ADAPTERS

13	V3811001	KIT ROAD ID360 RR CL ENDCAP (12MM)
----	----------	------------------------------------

MAVIC ALLROAD S DISC

VENDUTO CON

UST valve and accessories (129 838 01)	
UST valve and accessories (129 838 01)	
UST valve and accessories (129 838 01)	
Chiave di regolazione multifunzione (fornita con le ruote posteriori) (325 423 01)	
User guide	
User guide	
User guide	

COMPATIBILITY

Freewheel: Shimano/Sram, convertible to Campagnolo and XD-R with optional driver bodies	
Freewheel: Shimano/Sram, convertible to Campagnolo and XD-R with optional driver bodies	
Freewheel: Shimano/Sram, convertible to Campagnolo and XD-R with optional driver bodies	
Perno anteriore: passante 12 mm, convertibile in sistema a bloccaggio rapido con adattatori. Convertibile in 15 mm con sostituzione completa del perno	
Perno anteriore: passante 12 mm, convertibile in sistema a bloccaggio rapido con adattatori. Convertibile in 15 mm con sostituzione completa del perno	
Perno anteriore: perno passante da 12 mm, facilmente convertibile in un sistema a bloccaggio rapido con adattatori opzionali. Convertibile in 15 mm co	
Rear axle: 12mm thru axle, convertible to Quick Release with optional adapters	
Rear axle: 12mm thru axle, convertible to Quick Release with optional adapters	
Rear axle: 12mm thru axle, convertible to Quick Release with optional adapters	

Specifications

CERCHIONI

- **Material** : Mxstal
 - **Height** : 22 mm
- Disc brake specific profile
- **Material** : Mxstal
 - **Material** : Mxstal
 - **Tire** : UST Tubeless and tubetype
 - **Height** : 22 mm
 - **Height** : 22 mm
 - **Internal width** : 22 mm
 - **ETRTO size** : 622x22TSS ROAD
- Hookless profile
- Disc brake specific profile
- Disc brake specific profile
- **Tire** : UST Tubeless and tubetype
 - **Tire** : UST Tubeless and tubetype
 - **Internal width** : 22 mm
 - **Internal width** : 22 mm
 - **ETRTO size** : 622x22TSS ROAD
 - **ETRTO size** : 622x22TSS ROAD
- Hookless profile
- Hookless profile
- Fore
- Fore
- Fore
- UST
- UST
- UST
- SUP
- SUP
- SUP

RAGGI

- **Material** : steel
- **Material** : steel
- **Material** : steel

MOZZO

- **Front and rear bodies** : aluminum
 - **Front and rear bodies** : aluminum
 - **Front and rear bodies** : aluminum
 - **Axle material** : aluminum
 - **Axle material** : aluminum
 - **Axle material** : aluminum
- Infinity Hub
- **Front** : Quick release, 12x100 and 15x100 through axle compatible
 - **Front** : Quick release, 12x100 and 15x100 through axle compatible
 - **Front** : Quick release, 12x100 and 15x100 through axle compatible
 - **Rear** : Quick Release, 12x142 and 12x135 compatible
 - **Rear** : Quick Release, 12x142 and 12x135 compatible
 - **Rear** : Quick Release, 12x142 and 12x135 compatible
- Infinity Hub
- Infinity Hub
- Mozzo disponibile solo con rotori dei freni Center Lock
- Instant Drive 360
- Instant Drive 360
- Instant Drive 360
- QRM Auto
- QRM Auto
- QRM Auto

VERSIONS

- **Disc standard** : Center Lock (R) only
- **Disc standard** : Center Lock (R) only
- **Disc standard** : Center Lock (R) only
- **Freewheel** : Shimano/Sram or XD-Road

PESI RUOTE

935