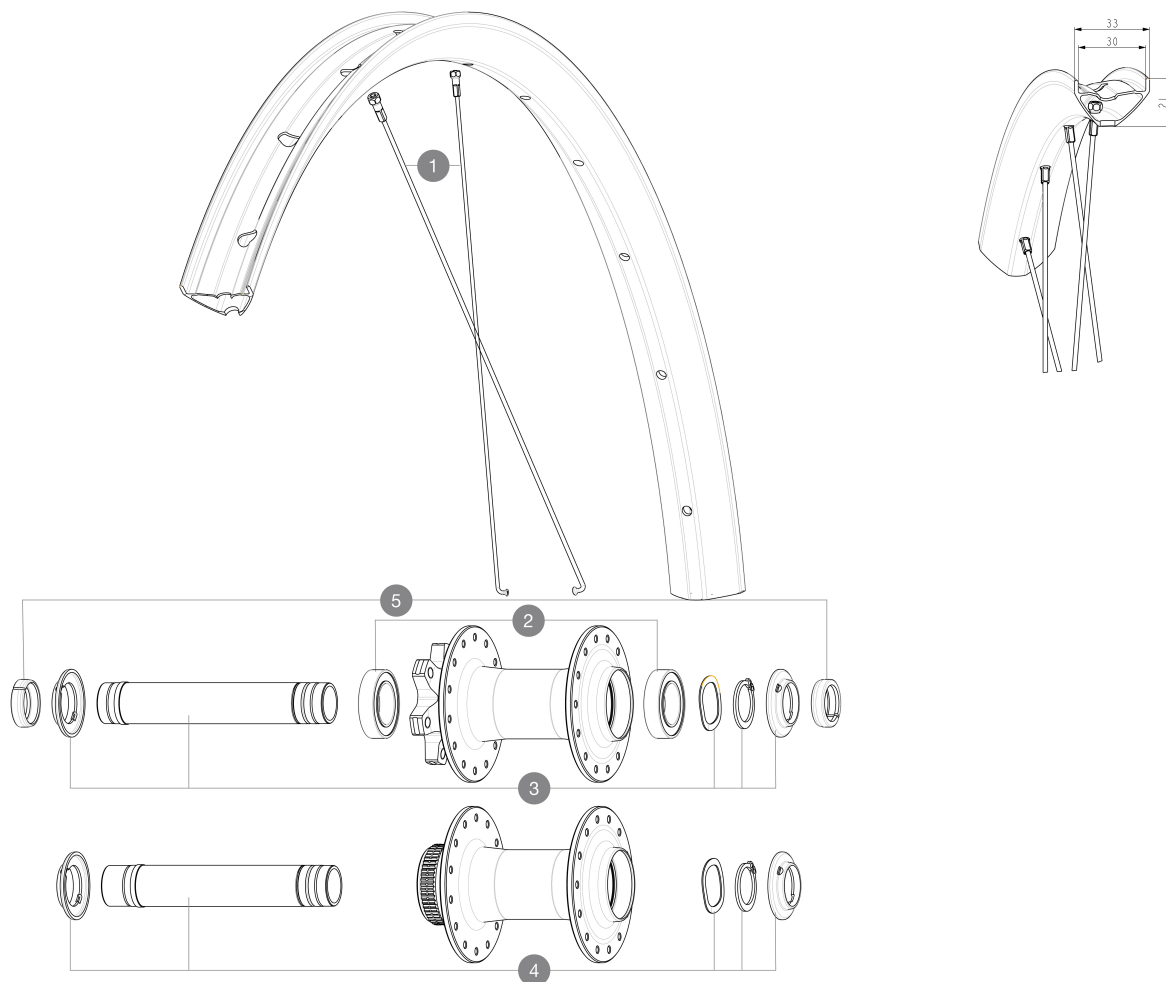


ASTM E1300 3 : 52mm-
2.35Bar/34PSI
125mm-
1.25Bar/18PSI

For a longer longevity of the wheel, Mavic recommends that the total weight supported by the wheels doesn't exceed 150kg, bike included

参照ホイール



SPOKES

1	V00062331	Kit 14 ft/rr Jbent bk rd spk 298 29"+np
---	-----------	---

HUB SHELLS

2	V2500901	KIT BEARINGS 18x30x7 + WAVED WASHER + CLIP
3	V2372401	KIT 110mm AXLE QRM AUTO MTB > 2019
4	V2375601	Kit 110mm axle QRM auto MTB from 2019 DCL

OPTIONS

V2374401	TORQUE CAPS 15*31 Adapter MTB QRM Auto > 2019 Frit HUB
----------	--

ADAPTERS

5	V2372501	15mm MTB Axle Cap QRM Auto From 2019
	99694101	2 REDUCERS 15/9mm

