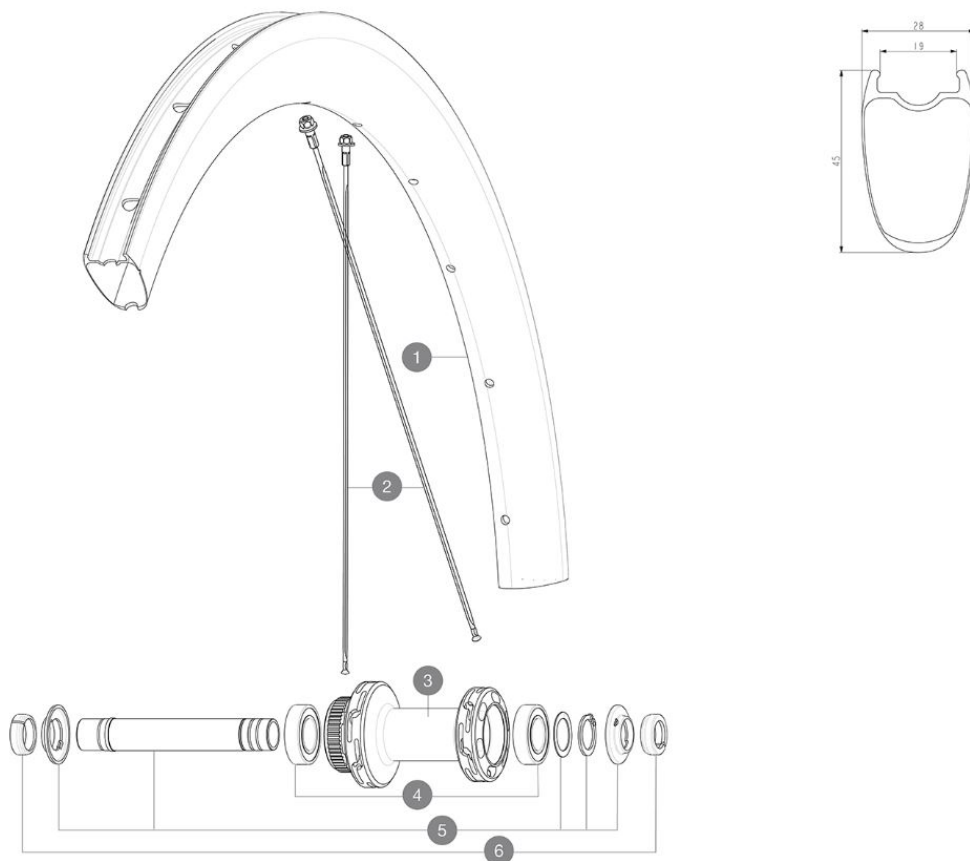


参照ホイール

ASTM CATEGORY 2 : road and offroad with jumps less than 15cm
 For a longer longevity of the wheel, Mavic recommends that the total weight supported by the wheels doesn't exceed 120kg, bike included
 Recommended tire sizes: 25 to 32 mm
 Max. Pressure: see indication on wheel and tire. If they differ, use the lowest of the 2



RIMS



&NBSP;:

1	V00062931	Kit Front/Rear rim Cosmic SL45 Ltd
	V3720101	25mm UST Tape for 19 to 22mm Road Rims

SPOKES

2	V4162901	Kit 12 Front/Rear Cosmic SL 45 Disc butted stainless spoke 2
---	----------	--

HUB SHELLS

3	N/A	HUB BODY
4	M40129	KIT 2 BEARINGS 6902 15x28x7
5	V2373301	KIT QRM AUTO FRONT AXLE 12mm > 2019

ADAPTERS

6	V2680501	12mm Road Axle Cap QRM Auto
	V2680301	"Kit Ft Road Adapter 12 >> 9mm"



COSMIC SL 45 LTD

付属品

Front QR adapters	
Rear QR adapters for Instant Drive 360 (B49 894 01)	
UST valve and accessories (129 838 01)	
Pre-installed tubeless rim tape	
User guide	

COMPATIBILITY

Freewheel: Shimano/Sram, convertible to Campagnolo ED11, N3W and XD-R with optional driver bodies	
Front axle: 12x100 thru axle, easily convertible to quick release with included adapters. Not compatible with 15mm through axles.	
Rear axle: 12mm thru axle, convertible to Quick Release with included adapters	

Specifications

リム

- Material : 100% carbon fiber
- Height : 45 mm
- Drilling : traditional
- Disc brake specific profile
- Tire : UST Tubeless and tubetype
- Internal width : 19 mm
- ETRTO size : 622x19TC
- UST tubeless technology

スポーク

- Material : steel
- Shape : straight pull, flat, double butted
- Nipples : brass, ABS
- Count : 24 front and rear
- Lacing : front and rear crossed 2, contactless

ホイールハブ

- Front and rear bodies : aluminum
- Axle material : aluminum
- Front : Quick release and 12x100 through axle compatible
- Rear : Quick Release, 12x142 and 12x135 compatible
- Infinity hubs
- Instant Drive 360 freewheel technology
- QRM Auto bearing preload technology

VERSIONS

- Disc standard : Center Lock® only
- Freewheel : Shimano/Sram

ホイールの重み

730