

MAVIC COSMIC SL 40 LTD

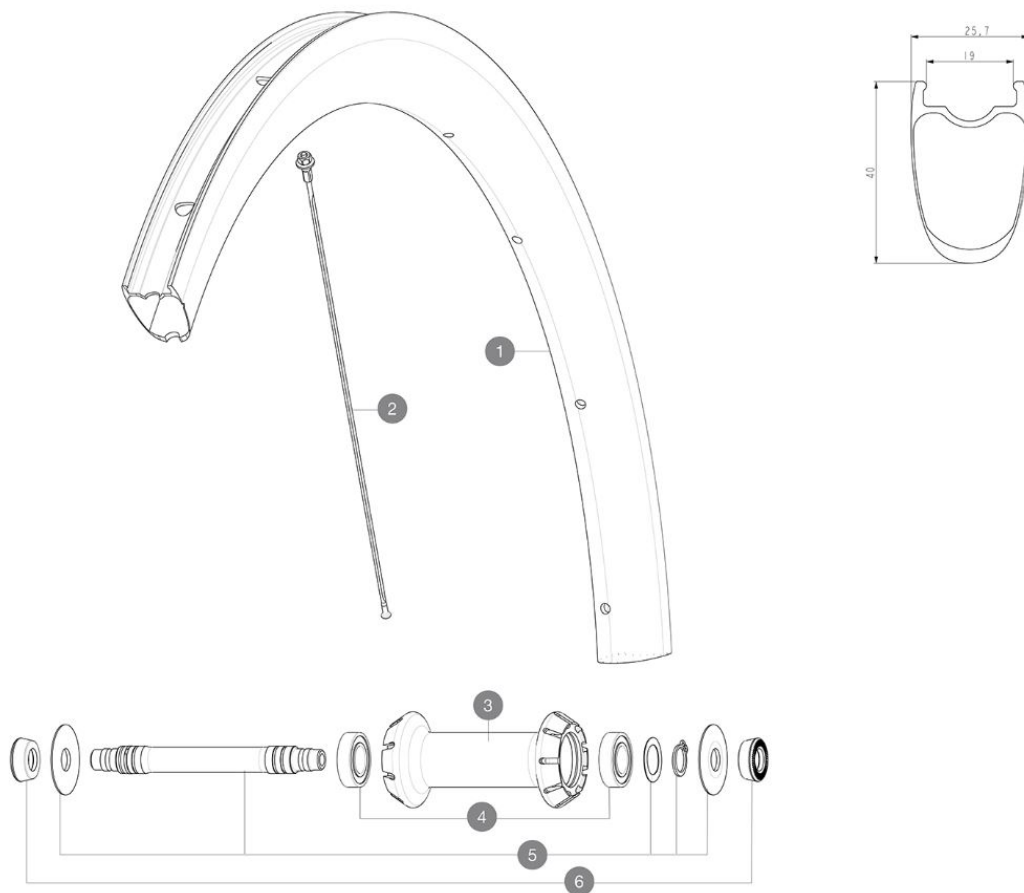
参照ホイール

ASTM CATEGORY 1 : road only

For a longer longevity of the wheel, Mavic recommends that the total weight supported by the wheels doesn't exceed 120kg, bike included

Recommended tire sizes: 25 to 32 mm

Max. Pressure: see indication on wheel and tire. If they differ, use the lowest of the 2



RIMS



&NBSP;:

1	V00063201	Kit Front rim Cosmic SL40 Ltd
	V3720101	25mm UST Tape for 19 to 22mm Road Rims

SPOKES

2	V4163001	Kit 9 front Cosmic SL 40 RB butted stainless spoke 271mm + s
---	----------	--

HUB SHELLS

3	N/A	HUB BODY
4	M40078	FRONT HUB 6901 BEARINGS
5	V2375801	Kit front axle RB for QRM auto hub + hoobster + wave washer

ADAPTERS

6	35117301	FRONT OR REAR FORK REST KIT R-SYS 2013
---	----------	--

MAVIC COSMIC SL 40 LTD

付属品

BR301 quick releases (V24 501 01 frt, V24 502 01 rear)	
Carbon brake pads (V24 603 01 Shimano/Sram, V24 604 01 Campagnolo)	
UST valve and accessories (129 838 01)	
Pre-installed tubeless rim tape	
User guide	

COMPATIBILITY

Freewheel: Shimano/Sram, convertible to Campagnolo ED11, N3W and XD-R with optional driver bodies	
Front axle: Quick Release only	
Rear axle: Quick Release only	

Specifications

リム

- Material : 100% carbon fiber
 - Height : 40 mm
 - Drilling : traditional
 - Tire : UST Tubeless and tubetype
 - Internal width : 19 mm
 - ETRTO size : 622x19TC
- Use with Mavic Tubeless Tape
UST tubeless technology
iTgMAX carbon clincher technology for rim brake

スポーク

- Material : steel
- Shape : straight pull, flat, double butted
- Nipples : aluminum, ABS
- Count : front 18, rear 24
- Lacing : front crossed 2, rear Isopulse Isopulse lacing design

ホイールハブ

- Front and rear bodies : aluminum
 - Axle material : aluminum
- Instant Drive 360 freewheel technology
QRM Auto bearing preload technology

VERSIONS

- Freewheel : Shimano/Sram

ホイールの重み

705