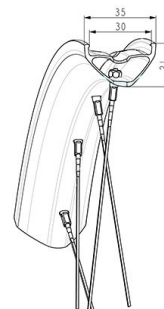
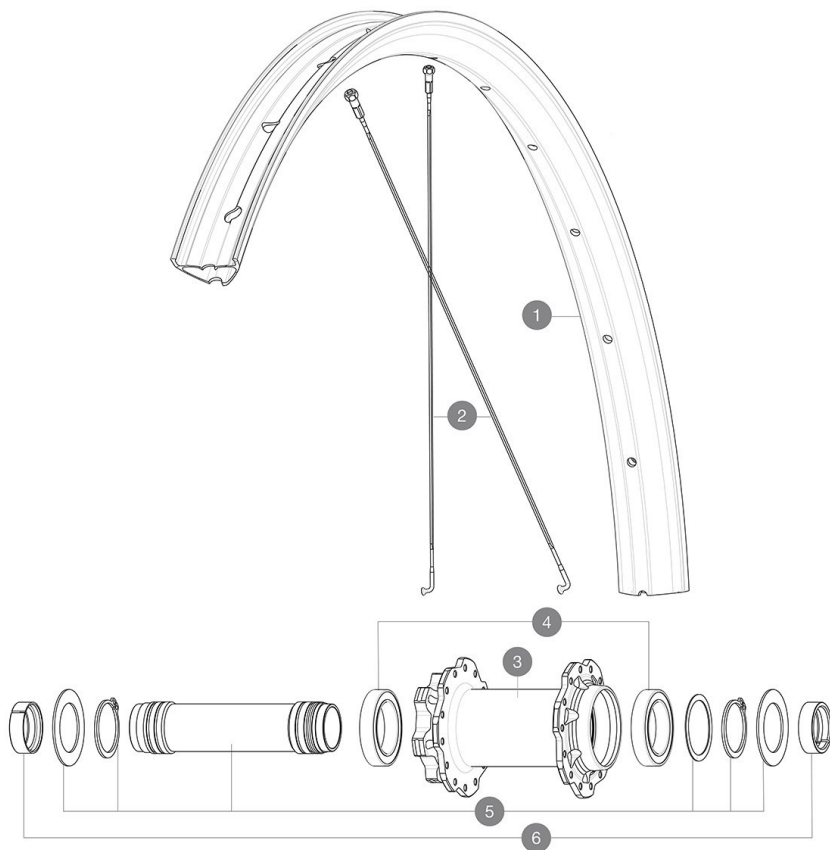


参照ホイール

ASTM A521-10 5 :
 300mm x 12mm x 1.2mm (V2510801) -
 35mm UST Green Tape for 30mm wide rims
 14 J BENT STEEL SPOKES 299mm DEEMAX DH 29" + black steel
 20x110mm BOOST AXLE QRM AUTO MTB > 2019
 HUB BODY
 FRONT BEARING 25x37x7 20mm AXLE
 KIT 20x110mm BOOST AXLE QRM AUTO MTB > 2019



| Specifications | Maxi target |
|--------------------------|---------------|
| Frontal run out | 0,5mm |
| Lateral run out | 0,5mm |
| Centring | 1,0mm (2x0,5) |
| Tension daN Disc side | 99 > 119 |

RIMS



&NBSP;:

| | | |
|---|-----------|--|
| 1 | V00094431 | "Kit front/rear Deemax DH 23 29" |
| | V3750101 | 35mm UST Green Tape for 30mm wide rims |

SPOKES

| | | |
|---|----------|--|
| 2 | V2387901 | KIT 14 J BENT STEEL SPOKES 299mm DEEMAX DH 29" + black steel |
|---|----------|--|

HUB SHELLS

| | | |
|---|----------|---|
| 3 | N/A | HUB BODY |
| 4 | M40179 | FRONT BEARING 25x37x7 20mm AXLE |
| 5 | V2373701 | KIT 20x110mm BOOST AXLE QRM AUTO MTB > 2019 |

OPTIONS

| | |
|----------|--------------------------------|
| 12982801 | 15mm ADAPTER KIT - 2012 WHEELS |
|----------|--------------------------------|

ADAPTERS

| | | |
|---|----------|---------------------------------------|
| 6 | V2680401 | 20x110 BOOST Front Adapter MTB wheels |
|---|----------|---------------------------------------|

付属品

Table with 2 columns and 10 rows listing accessories for the MAVIC DEEMAX DH 29. Items include various sizes of tires, tubes, valves, and tools like a patch kit and a pump.

COMPATIBILITY

Table with 2 columns and 10 rows detailing compatibility for various components like tires, tubes, valves, and tools. It lists specific models and sizes that are compatible with the product.

Specifications

リム

Technical specifications for the rim, including dimensions like width (22mm), depth (30mm), and weight (157g).

ホイールハブ

Technical specifications for the wheel hub, including dimensions like width (110mm) and weight (157g).