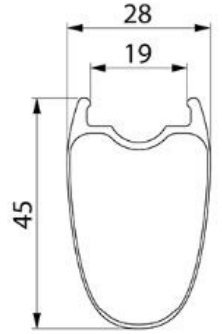
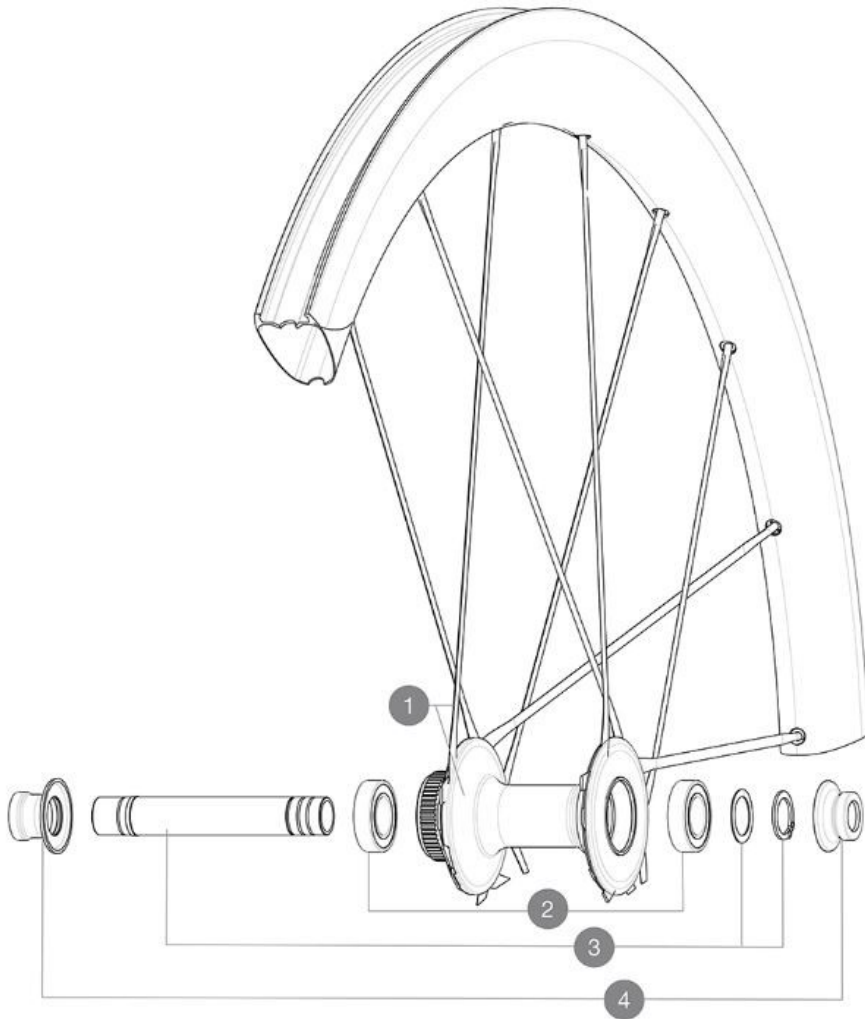


参照ホイール

ASTM E1000 2 : 23mm-  
 15mm-  
 6.75Bar/97PSI  
 120mm-  
 62mm-  
 3.8Bar/55PSI



Specifications	Maxi target
Frontal run out	0,5mm
Lateral run out	0,5mm
Centring	1,0mm (2x0,5)

## HUB SHELLS

- 2 V2373301 KIT QRM AUTO FRONT AXLE 12mm > 2019
- 3 M40129 KIT 2 BEARINGS 6902 15x28x7

## ADAPTERS

- 4 V2374701 KIT FRONT ROAD FORK REST 12mm FOR J BENT DISC HUB

