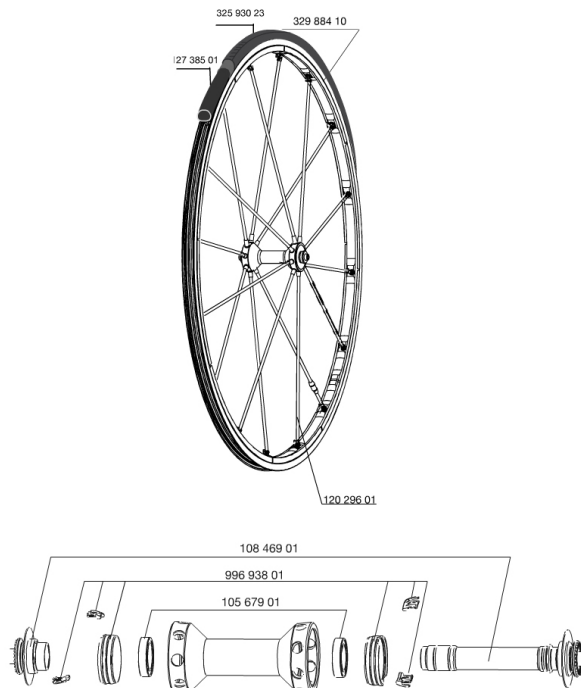


参照ホイール

325667 R-SYS SLR 013 FRT WTS



RIMS



&NBSP;:

32988410 FRONT R-SYS SLR CLINCHER 2013 ISM3D RIM

SPOKES

12029601 9 BLACK FRONT SPOKES R-SYS SLR CLINCH. 285mm

99693801 2 SILVER TRACOMP RINGS + CLIPS

HUB SHELLS

10846901 FRONT AXLE KIT R-SYS SL

10567901 BEARING KIT R-SYS SL FRONT

MAINTENAN

CE

12738501 Road Innertube Presta 48mm

TYRES

32593023 YksionProSSCGripLink 23

MAVIC R-Sys SLR C

付属品

BR601 Â¿Â¿Â¿Â¿Â¿Â¿Â¿Â¿Â¿Â¿Â¿Â¿	
BR601 Â¿Â¿Â¿Â¿Â¿Â¿Â¿Â¿Â¿Â¿Â¿Â¿	
Â¿Â¿Â¿Â¿Â¿Â¿	
Â¿Â¿Â¿Â¿Â¿Â¿	
Â¿Â¿Â¿Â¿Â¿Â¿Â¿Â¿Â¿Â¿Â¿Â¿ Â¿Â¿Â¿Â¿Â¿Â¿Â¿Â¿Â¿	
Â¿Â¿Â¿Â¿Â¿Â¿Â¿Â¿Â¿Â¿Â¿Â¿ Â¿Â¿Â¿Â¿Â¿Â¿Â¿Â¿Â¿	
Â¿Â¿Â¿Â¿Â¿Â¿	
Â¿Â¿Â¿Â¿Â¿Â¿	
Â¿Â¿Â¿Â¿Â¿Â¿Â¿Â¿Â¿Â¿	
Â¿Â¿Â¿Â¿Â¿Â¿Â¿Â¿Â¿	
Â¿Â¿Â¿Â¿Â¿Â¿	
Â¿Â¿Â¿Â¿Â¿Â¿	

Specifications

リム

Â¿Â¿Â¿ MaxtalÂ¿Â¿Â¿Â¿Â¿
 Â¿Â¿Â¿ MaxtalÂ¿Â¿Â¿Â¿Â¿
 Â¿Â¿Â¿Â¿Â¿Â¿Â¿
 Â¿Â¿Â¿Â¿Â¿ Â¿Â¿Â¿Â¿22 mmÂ¿Â¿ 25
 mmÂ¿Â¿Â¿Â¿
 Â¿Â¿Â¿Â¿Â¿Â¿ SUP
 Â¿Â¿Â¿Â¿Â¿22 mmÂ¿Â¿ 25
 mmÂ¿Â¿Â¿Â¿
 Â¿Â¿Â¿Â¿Â¿Â¿ SUP
 Â¿Â¿Â¿Â¿Â¿Â¿Â¿Â¿ FORE
 Â¿Â¿Â¿Â¿Â¿
 Â¿Â¿Â¿Â¿Â¿Â¿Â¿ Â¿Â¿Â¿Â¿Â¿2
 Â¿Â¿Â¿Â¿Â¿Â¿Â¿ FORE
 Â¿Â¿Â¿Â¿Â¿
 Â¿Â¿Â¿Â¿Â¿ ISM 3D
 Â¿Â¿Â¿Â¿Â¿Â¿Â¿ Â¿Â¿Â¿Â¿Â¿2
 Â¿Â¿Â¿Â¿Â¿Â¿ 6.5 mm
 Â¿Â¿Â¿
 Â¿Â¿Â¿Â¿Â¿Â¿Â¿Â¿Â¿Â¿Â¿
 Â¿Â¿Â¿Â¿ ISM 3D
 Â¿Â¿Â¿Â¿Â¿ 6.5 mm
 Â¿Â¿Â¿
 Â¿Â¿Â¿Â¿Â¿Â¿Â¿Â¿Â¿Â¿
 ETRTO Â¿Â¿Â¿ 622x15C
 ETRTO Â¿Â¿Â¿ 622x15C
 Â¿Â¿Â¿Â¿Â¿Â¿ 19Â¿32 mm
 Â¿Â¿Â¿Â¿Â¿Â¿ 19Â¿32 mm

ホイールハブ

Â¿Â¿Â¿Â¿/Â¿Â¿Â¿Â¿Â¿Â¿
 Â¿Â¿Â¿Â¿/Â¿Â¿Â¿Â¿Â¿Â¿
 Â¿Â¿Â¿Â¿
 Â¿Â¿Â¿Â¿/Â¿Â¿Â¿Â¿
 Â¿Â¿Â¿
 QRM SL
 Â¿Â¿Â¿Â¿/Â¿Â¿Â¿Â¿
 Â¿Â¿
 FTS-LÂ¿Â¿Â¿
 QRM SL
 FTS-LÂ¿Â¿Â¿

ホイールの重み

ホイール重量 (クイックリリー
 スおよびクリンチャー/チュー
 ブラーを除く) (g) : 555

スポーク