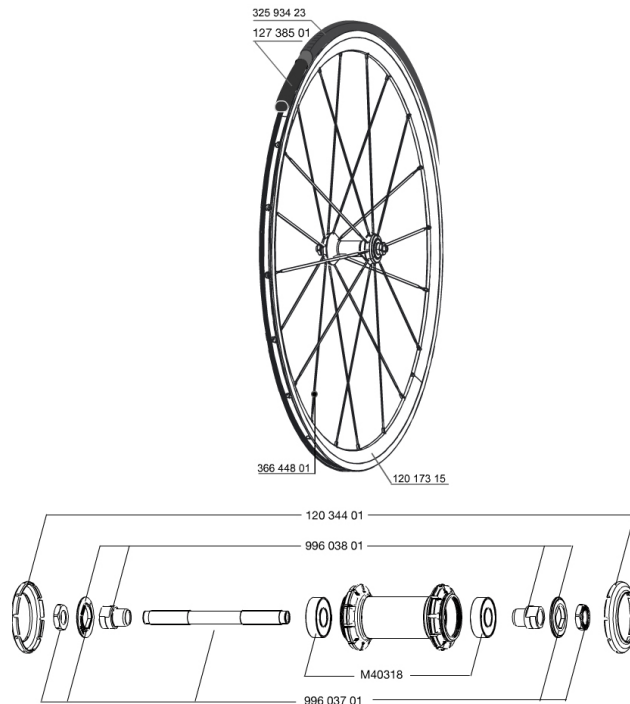


参照ホイール

328205 COSMIC ELITE S FRT WTS



## RIMS



&NBSP;:

1	12017315	KIT FRONT/REAR COSMIC ELITE RIM - while stock last
---	----------	--

## SPOKES

2	36644801	10 BLK AERO SPOKES FRONT/NON DRIVE SIDE COSMIC ELITE 276mm
---	----------	--

## HUB SHELLS

3	N/A	HUB BODY
4	M40318	HUB BEARING KIT 6001
5	99603801	SHORT EXPENSIBLE BEARING SUPPORTS > 2008
6	99603701	FRONT AXLE QRM ROAD 2008
7	12034401	KIT 3 HUB CAPS AERO 10 SLOTS BLACK

# MAVIC Cosmic Elite S

## 付属品

BR101 Â¿Â¿Â¿Â¿Â¿Â¿Â¿Â¿Â¿Â¿Â¿Â¿Â¿	
Â¿Â¿Â¿Â¿Â¿Â¿Â¿	
Â¿Â¿Â¿Â¿Â¿Â¿Â¿	

## Specifications

### リム

•Â¿Â¿ : 6106 Â¿Â¿Â¿Â¿Â¿Â¿  
 Â¿Â¿Â¿Â¿ 30 mm  
 Â¿Â¿Â¿Â¿Â¿Â¿Â¿ SUP  
 Â¿Â¿Â¿Â¿Â¿Â¿Â¿ Â¿Â¿Â¿Â¿Â¿Â¿Â¿  
 Â¿Â¿Â¿Â¿Â¿Â¿Â¿ UBÂ¿Â¿Â¿Â¿Â¿  
 Â¿Â¿Â¿Â¿Â¿Â¿Â¿ 6.5 mm  
 Â¿Â¿Â¿Â¿Â¿Â¿Â¿  
 ETRTO Â¿Â¿Â¿Â¿ 622x15C  
 Â¿Â¿Â¿Â¿Â¿Â¿Â¿ 19Â¿ 32 mm

### スポーク

Â¿Â¿Â¿Â¿Â¿Â¿  
 Â¿Â¿Â¿Â¿ Â¿Â¿Â¿Â¿Â¿Â¿Â¿  
 Â¿Â¿Â¿Â¿Â¿Â¿ Â¿Â¿Â¿Â¿ABS  
 Â¿Â¿Â¿Â¿ Â¿Â¿Â¿Â¿Â¿Â¿Â¿ 20Â¿  
 Â¿Â¿Â¿Â¿Â¿Â¿Â¿ Â¿Â¿Â¿Â¿Â¿Â¿  
 Â¿Â¿Â¿/Â¿Â¿Â¿Â¿Â¿Â¿Â¿/2Â¿Â¿

### ホイールハブ

Â¿Â¿Â¿Â¿/Â¿Â¿Â¿Â¿  
 Â¿Â¿Â¿  
 QRM  
 FTS-LÂ¿Â¿Â¿Â¿

### ホイールの重み

ホイール重量 ( クイックリリースおよびクリンチャー/チューブラーを除く ) ( g ) : 815