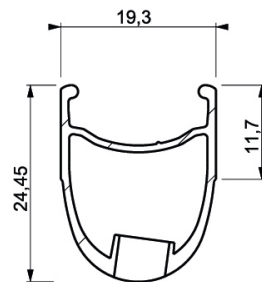
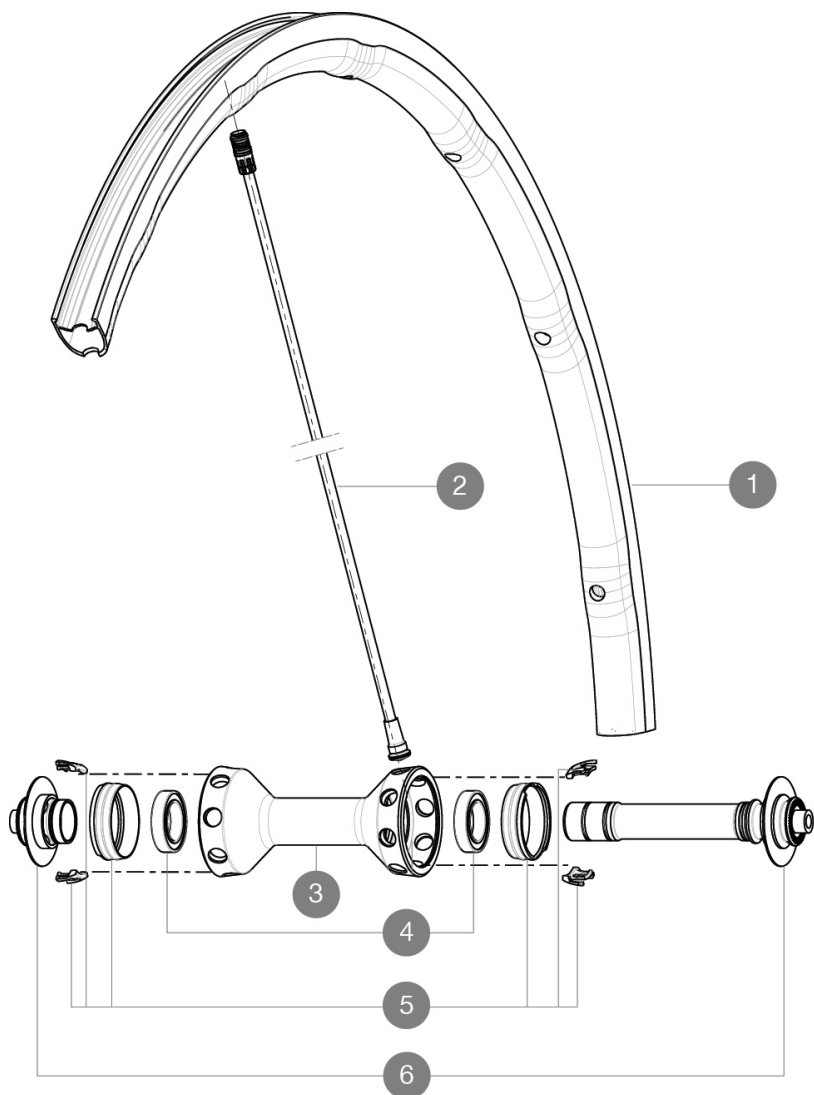


参照ホイール

F04601 R-Sys SLR 15 Ft



RIMS



Ä□□Ä□«Ä□□Ç©'Ä%□İ¼□MMİ¼□İ¼□6.5 :

1	A7199710	KIT FRONT RIM R-SYS SLR 2015
---	----------	------------------------------

SPOKES

2	V2270201	R-SYS SLR 15 CARB TUB SPOKE 282,7mm - while stock last
2	V4161301	Kit 10 front/rear Rsys spokes 282,7mm from 2020
5	99693801	2 SILVER TRACOMP RINGS + CLIPS

HUB SHELLS

3	N/A	HUB BODY
4	10567901	BEARING KIT R-SYS SL FRONT
6	10846901	FRONT AXLE KIT R-SYS SL
	N/A	HUB BODY

MAVIC R-Sys SLR

付属品

BR601 quick releases	
Wheelbags	
Exalith brake pads	
Computer magnet (front wheel)	
Multifonction adjustment wrench	
Tracomp ring tool	
User guide	

Specifications

リム

- Material : Maxtal
- Height : front 24mm, rear 26 asymmetrical
- Joint : SUP
- Drilling : Fore
- Brake track : Exalith 2
- Weight reduction : ISM4D
- Valve hole diameter : 6.5 mm
- Tyre : clincher
- ETRTO size : 622x15C
- Recommended tyre sizes : 19 to 32 mm

スポーク

- Material : carbon fiber (front and rear non drive side) and Zicral (rear drive side)
- Shape : Tracomp tubular (front and rear non drive side) and straight pull bladed and double butted (rear drive side)
- Nipples : Fore integrated aluminum
- Count : front 16, rear 20
- Lacing : radial front and rear non-drive side, crossed 2 rear drive side

ホイールハブ

- Front and rear bodies : aluminum
- Axle material : aluminum
- Super Light sealed cartridge bearings
- Freewheel : FTS-L steel

ホイールの重み

ホイール重量 (クイックリリースおよびクリンチャー/チューブラーを除く) (g) : 555