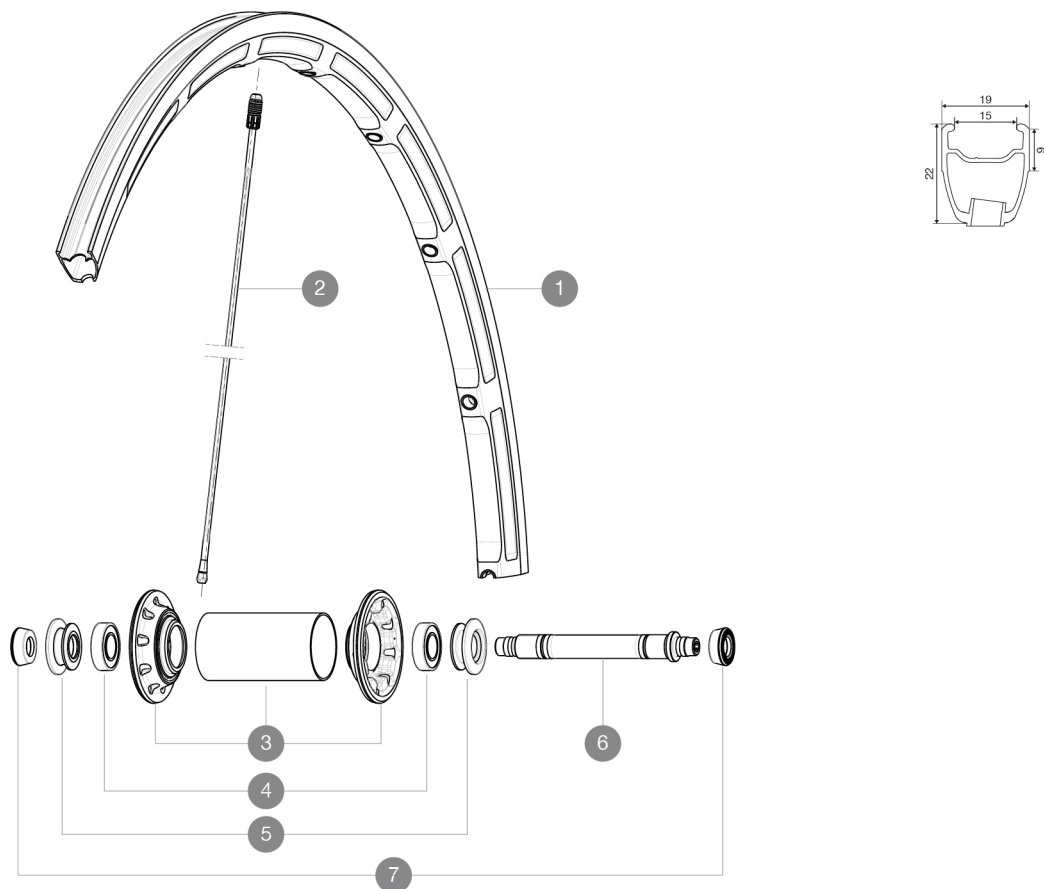


参照ホイール

F02701 Ksyrium SLE Ft



RIMS



バルブ穴径 (MM) : 6.5 :

1	V2290310	KIT FRONT RIM KSYRIUM SLE
---	----------	---------------------------

SPOKES

2	33000301	10 BLK FR SPOKES KSYRIUM SLS CLINCHER 283,5mm
---	----------	---

HUB SHELLS

3	N/A	HUB BODY
4	M40078	FRONT HUB 6901 BEARINGS
5	M40759	ADJUST.NUT+CAP XMAX SL CERA FR
6	M40052	FRONT HUB AXLE
7	M40063	2 FRONT AXLE FORK SUPPORT

MAVIC Ksyrium SLE

付属品

BR601 quick releases	
Exalith brake pads	
Computer magnet (front wheel)	
Multifonction adjustment wrench	
User guide	

Specifications

リム

- Material : Maxtal
- Height : front 22 mm, rear 25 mm asymmetrical
- Joint : SUP
- Drilling : Fore
- Brake track : Exalith 2
- Weight reduction : ISM 3D
- Valve hole diameter : 6.5 mm
- Tyre : clincher
- ETRTO size : 622x15C
- Recommended tyre sizes : 19 to 32 mm

スポーク

- Material : Zicral
- Shape : straight pull, bladed, front double butted
- Nipples : Fore integrated aluminum
- Count : front 18, rear 20
- Lacing : front radial, rear Isopulse

ホイールハブ

- Front body : carbon with aluminum flanges
- Rear body : aluminum
- Axle material : aluminum
- Adjustable sealed cartridge bearings
- Freewheel : FTS-L steel

ホイールの重み

ホイール重量 (クイックリリースおよびクリンチャー/チューブラーを除く) (g) : 605