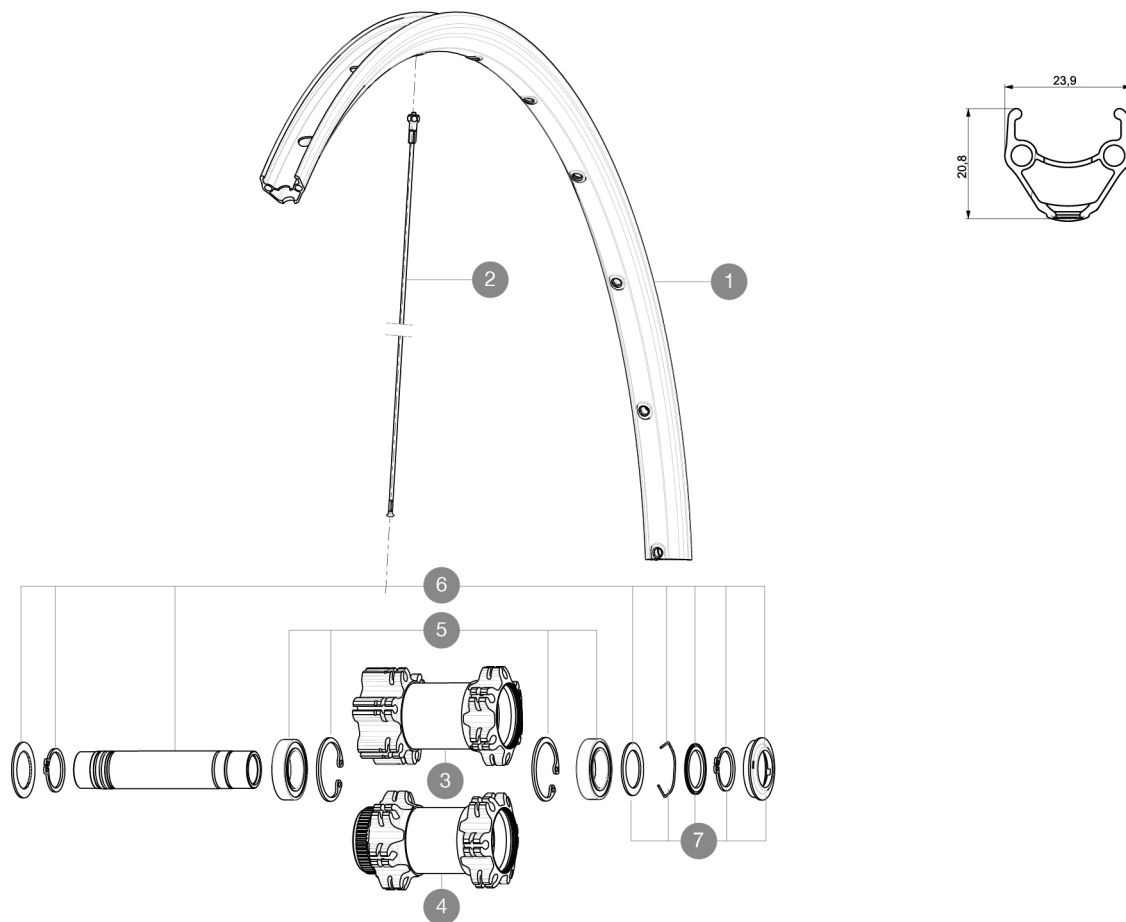


参照ホイール

F18001 Aksium One DiscFt CL

F04701 Aksium One Disc Ft INT



## RIMS



バルブ穴径 (MM) : 6.5 :

1	V2290815	KIT FRONT/REAR RIM AKSIUM ONE DISC
---	----------	------------------------------------

## SPOKES

2	36690301	"12 SPOKES FRONT/OPP DRIVE SIDE CROSSONE 29" 296mm"
---	----------	---

## HUB SHELLS

3	N/A	HUB BODY
4	N/A	HUB BODY
5	99688501	BEARING KIT 9/15 D6T HUB
6	V2371101	KIT FRONT QRM AXLE 100mm/BOOST 110mm
6	V2370101	KIT FRONT AXLE 15MM CROSSONE-/RIDE-/ROC - while stock last
7	V2370301	FRONT AUTO ADJUST.PLAY KIT 15MM AXLE



# Aksium One Disc

## 付属品

BR101 quick releases	
Rim tape	
Front QR adapters	
User guide	

## Specifications

### リム

- Material : S6000 Aluminum
- Height : 22mm
- Joint : pinned
- Drilling : traditional with H2 reinforcement
- Disc brake specific profile
- Valve hole diameter : 6.5 mm
- Tyre : clincher
- ETRTO size : 622x17C
- Recommended tyre sizes : 25 to 52 mm

### スポーク

- Material : steel
- Shape : straight pull, round
- Nipples : brass, ABS
- Count : 24 front and rear
- Lacing : front and rear crossed 2

### ホイールハブ

- Front and rear bodies : aluminum
- Body : aluminum
- Axle material : front aluminum, rear steel
- Sealed cartridge bearings
- Freewheel : FTS-L steel

### ホイールの重み

ホイール重量 ( クイックリリースおよびクリンチャー/チューブラーを除く ) ( g ) : 890