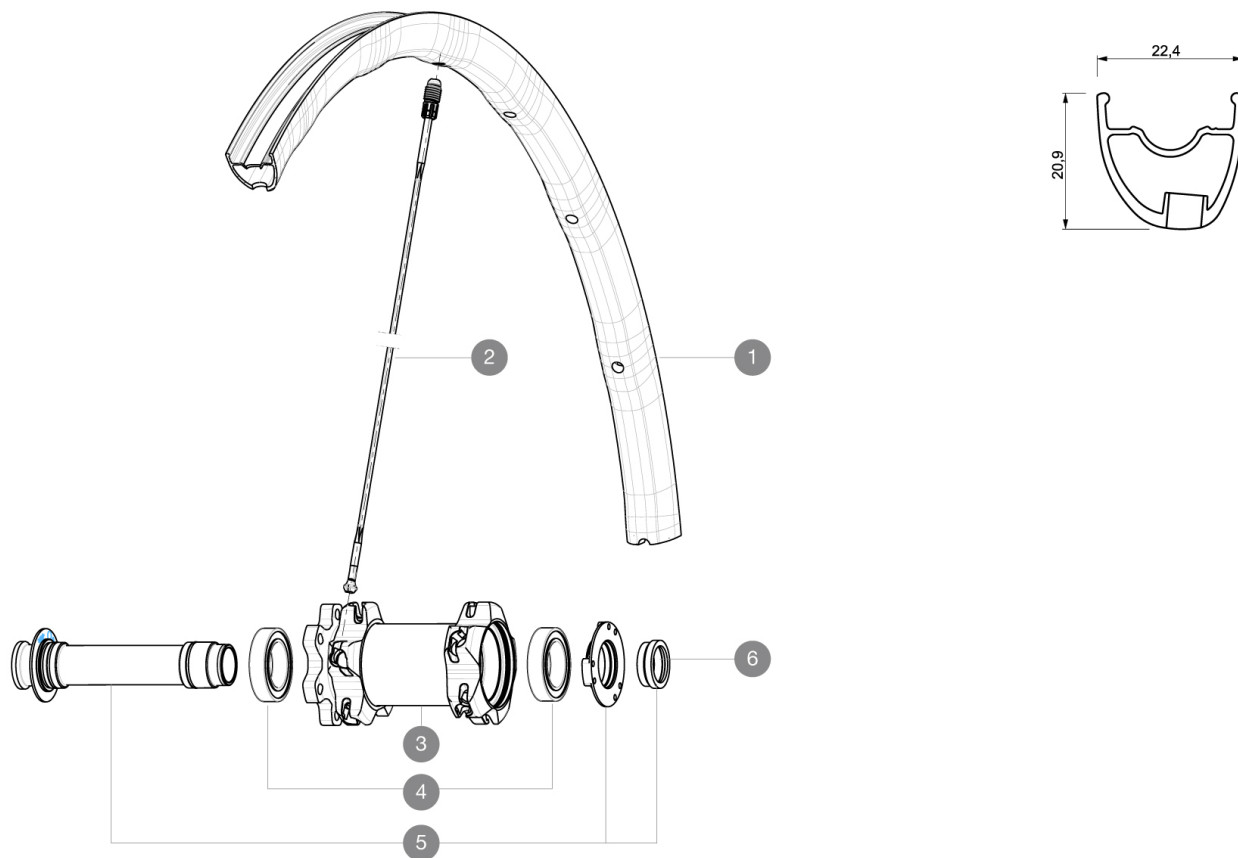


参照ホイール

F01401 Crossmax SL 26Ft



## RIMS



バルブ穴径 (MM) : 6.5 :

1	V2310110	KIT FRONT RIM CROSSMAX SL 2015 26"
---	----------	------------------------------------

## SPOKES

2	30864201	11 SPOKES M7/7 BLK FRT/OPP.DRV CROSSMAX SLR 12 269mm
---	----------	--

## HUB SHELLS

3	N/A	HUB BODY
4	99688501	BEARING KIT 9/15 D6T HUB
5	99688201	9/15 D6T HUB FRONT AXLE
6	10846501	FRONT FORK SUPPORT FOR 15mm AXLE

# MAVIC Crossmax SL

## 付属品

BX601 quick releases	
UST valve and accessories	
Front 15 mm adapters	
Rear QR adapters	
Rear 12x142mm adapters	
Specific disc bolts	
Computer magnet (front wheel)	
Multifunction adjustment wrench	
User guide	

## Specifications

### リム

- Material : Mxtral
- Joint : SUP
- Drilling : Fore
- Disc brake specific profile
- Weight reduction : ISM4D
- Valve hole diameter : 6.5 mm
- Tyre : UST Tubeless and tubetype
- Internal width : 19 mm
- ETRTO size 26" : 559x19C
- ETRTO size 650b/27.5" : 584x19C
- ETRTO size 29" : 622x19C
- Recommended tyre sizes : 1.5 to 2.3

### スポーク

- Material : Zicral
- Shape : straight pull, bladed
- Nipples : Fore integrated aluminum
- Count : 20 front and rear
- Lacing : front crossed 2, rear Isopulse

### ホイールハブ

- Front body : carbon with aluminum flanges
- Rear body : aluminum
- Axle material : aluminum
- Adjustable sealed cartridge bearings
- Freewheel : ITS-4 alloy
- Shimano 11 speeds compatible
- XD Compatible (XX1-X01) with optionnal kit

### ホイールの重み

- ホイール重量 (クイックリリースおよびクリンチャー/チューブラーを除く) (g) :
- Weight Front 26" : 630
  - Weight Front 27.5" : 665
  - Weight Front 29" : 690