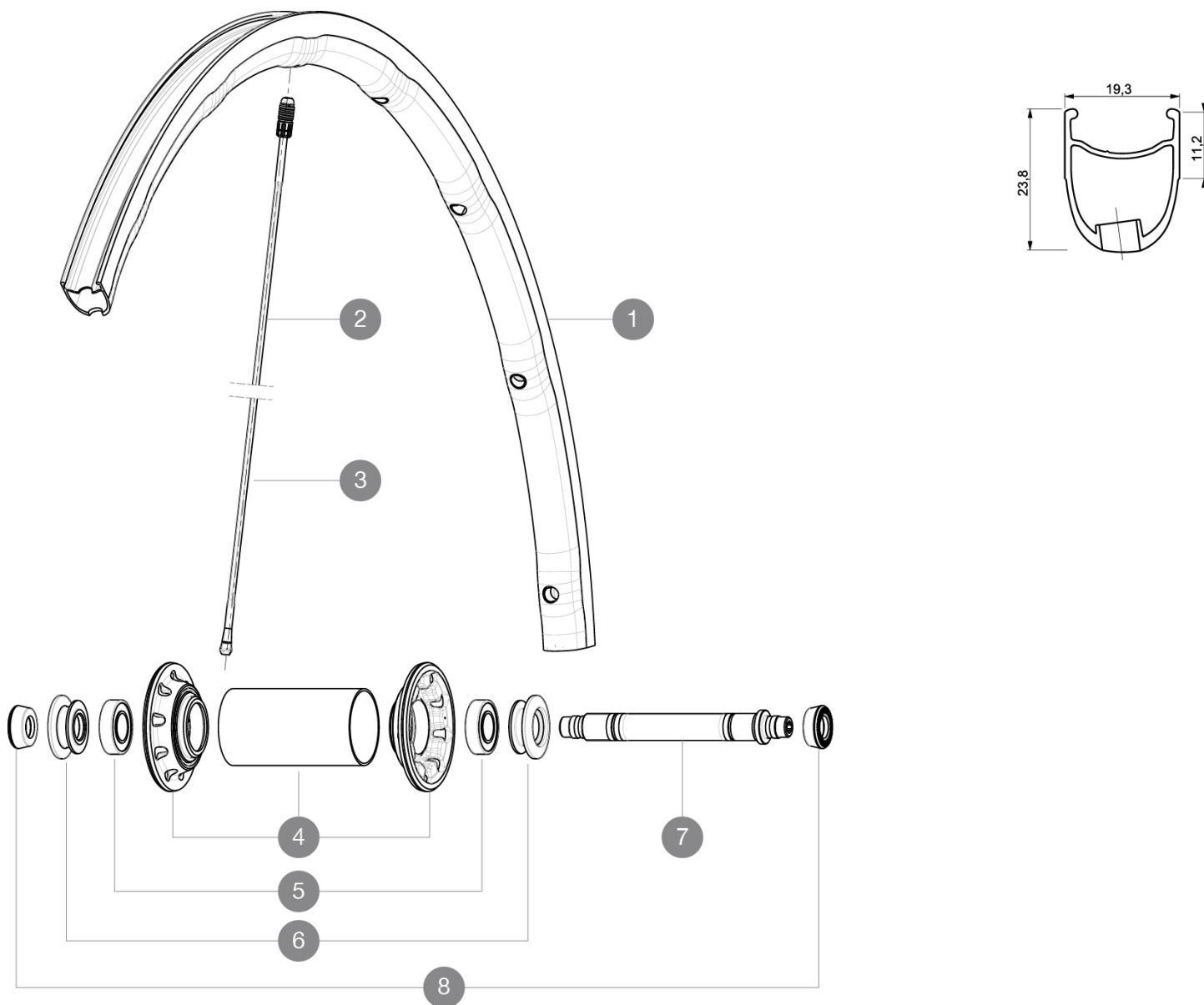


参照ホイール



RIMS



Ä□□Ä□«Ä□□Ç©*Ä¼□î¼□MMî¼□î¼□6.5 :

1	A7199510	KIT FRONT RIM K125
---	----------	--------------------

SPOKES

2	V2270601	SPOKES KIT FRONT KSYRIUM SLR 2015/K125
3	V2270101	KIT 2 YELLOW SPOKES K125 282mm/293,5mm

HUB SHELLS

4	N/A	HUB BODY
5	M40078	FRONT HUB 6901 BEARINGS
6	M40759	ADJUST.NUT+CAP XMAX SL CERA FR
7	M40052	FRONT HUB AXLE
8	M40063	2 FRONT AXLE FORK SUPPORT

MAVIC Ksyrium 125

付属品

BR601 quick releases	
Wheelbags	
Exalith brake pads	
Computer magnet (front wheel)	
Multifonction adjustment wrench	
User guide	

Specifications

リム

- Material : Mactal
- Height : front 24mm, rear 26 asymmetrical
- Joint : SUP
- Drilling : Fore
- Brake track : Exalith 2
- Weight reduction : ISM4D
- Valve hole diameter : 6.5 mm
- Tyre : clincher
- ETRTO size : 622x15C
- Recommended tyre sizes : 19 to 32 mm

スポーク

- Material : front and rear drive side Zicral, Rear non drive side carbon fiber
- Shape : front and rear drive side straight pull bladed double butted, rear non drive side Tracomp
- Nipples : Fore integrated aluminum
- Count : front 18, rear 20
- Lacing : radial front and rear non-drive side, crossed 2 rear drive side

ホイールハブ

- Front body : carbon with aluminum flanges
- Rear body : aluminum
- Axle material : aluminum
- Adjustable sealed cartridge bearings
- Freewheel : FTS-L steel

ホイールの重み

ホイール重量 (クイックリリースおよびクリンチャー/チューブラーを除く) (g) : 605