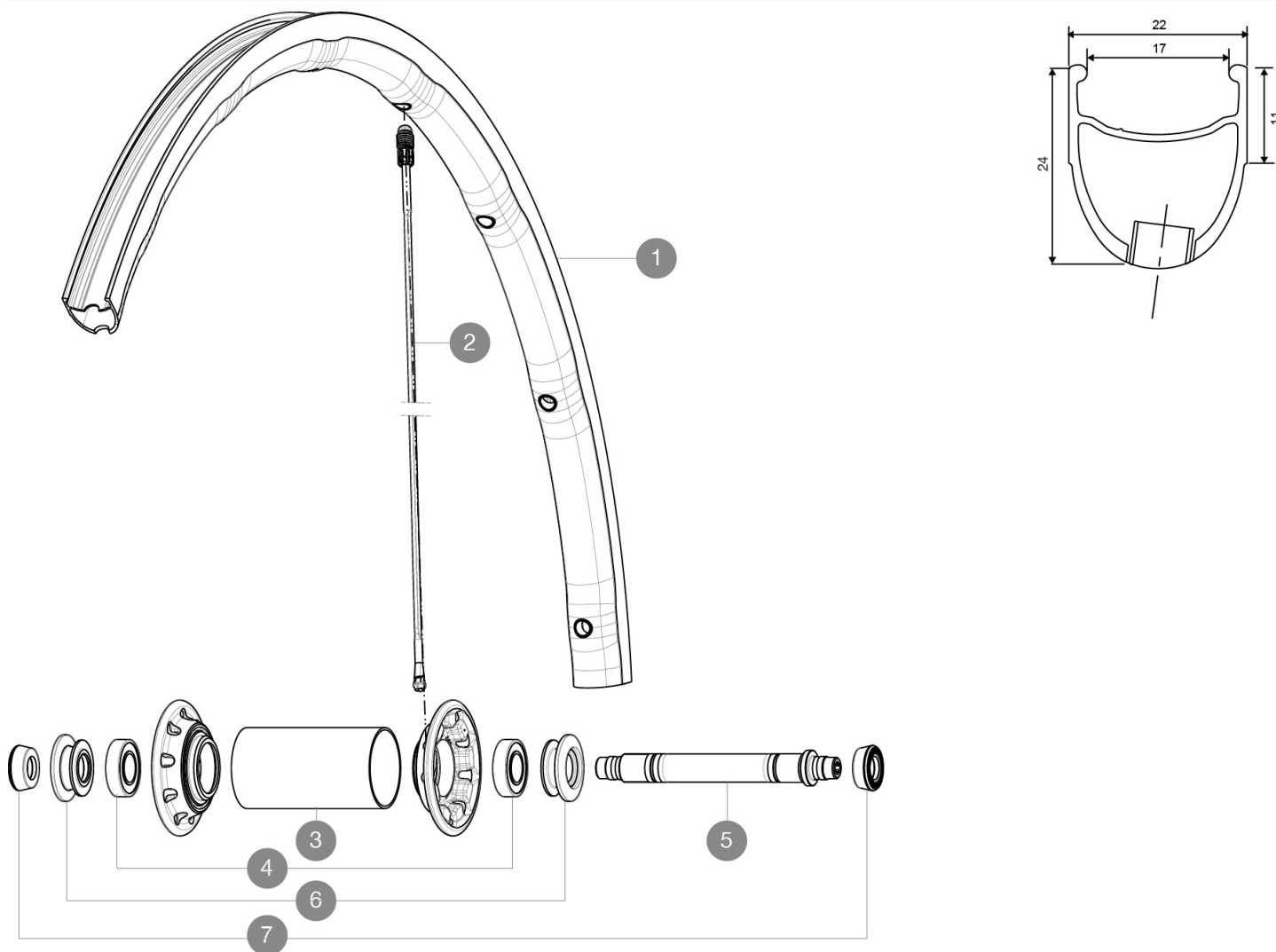


ASTM CATEGORY 2 : road and offroad with jumps less than 15cm  
 For a longer longevity of the wheel, Mavic recommends that the total weight supported by the wheels doesn't exceed 120kg, bike included  
 Recommended tyre sizes: 25 to 52 mm  
 Max. Pressure: 25mm 7.7 bars - 110 PSI

## 参照ホイール

F41301	Ksyrium Pro Ft	F70911	Ksyrium Pro Ft Limited
--------	----------------	--------	------------------------



### RIMS



バルブ穴径 (MM) : 6,5 :

1	V2404910	Kit Frit Rim KsyProLtd
1	V2402010	FRONT RIM KSYRIUM PRO

### SPOKES

2	V2272801	Kit 1 Front 282,5 + 1 Rear 273,5 Spokes KProLtd
2	V2270601	SPOKES KIT FRONT KSYRIUM SLR 2015/K125

### HUB SHELLS

3	N/A	HUB BODY
3	N/A	HUB BODY
4	M40078	FRONT HUB 6901 BEARINGS
5	32999801	FRONT AXLE KIT R-SYS / KSYRIUM SL/SLS 2013
6	M40759	ADJUST.NUT+CAP XMAX SL CERA FR

### ADAPTERS

7	35117301	FRONT OR REAR FORK REST KIT R-SYS 2013
---	----------	--

**MAVIC**

# Ksyrium Pro

## 付属品

BR601 quick releases	
BR601 quick releases	
Multifunction adjustment wrench	
User guide	
Multifunction adjustment wrench	
User guide	

## COMPATIBILITY

Freewheel: Shimano/Sram, convertible to Campagnolo with optional driver body	
Front axle: Quick Release only	
Rear axle: Quick Release only	

## Specifications

### リム

- Material : Mxtral
- Height : front 24mm, rear 26 asymmetrical
- Joint : SUP
- Drilling : Fore
- Brake track : UB Control
- Weight reduction : ISM 4D
- Valve hole diameter : 6.5 mm
- Tyre : clincher
- Material : Mxtral
- Height : front 24mm, rear 26 asymmetrical
- ETRTO size : 622x17C
- Recommended tyre sizes : 25 to 52 mm
- Joint : SUP
- Drilling : Fore
- Brake track : UB Control
- Weight reduction : ISM 4D
- Valve hole diameter : 6.5 mm
- Tyre : clincher
- Internal width : 17 mm
- ETRTO size : 622x17C

### スポーク

- Material : Zicral
- Shape : straight pull, bladed, front double butted
- Nipples : Fore integrated aluminum
- Count : front 18, rear 20
- Material : Zicral
- Lacing : front radial, rear Isopulse
- Shape : straight pull, bladed, front double butted
- Nipples : Fore integrated aluminum
- Count : front 18, rear 20
- Lacing : front radial, rear Isopulse

### ホイールハブ

- Front body : carbon with aluminum flanges
- Rear body : aluminum
- Rear body : aluminum
- Axle material : aluminum
- Adjustable sealed cartridge bearings
- Front body : carbon with aluminum flanges
- Freewheel : FTS-L steel
- Axle material : aluminum
- Adjustable sealed cartridge bearings
- Freewheel : FTS-L steel

### VERSIONS

- Color : Black only

### ホイールの重み

ホイール重量 ( クイックリリースおよびクリンチャー/チューブラーを除く ) ( g ) : 630