

# MAVIC R-Sys SLR

ASTM CATEGORY 1 : road only

For a longer longevity of the wheel, Mavic recommends that the total weight supported by the wheels doesn't exceed 120kg, bike included

Recommended tyre sizes: 21 to 32 mm

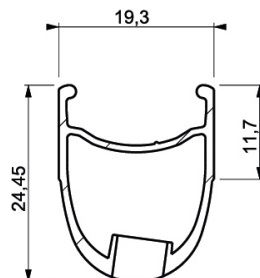
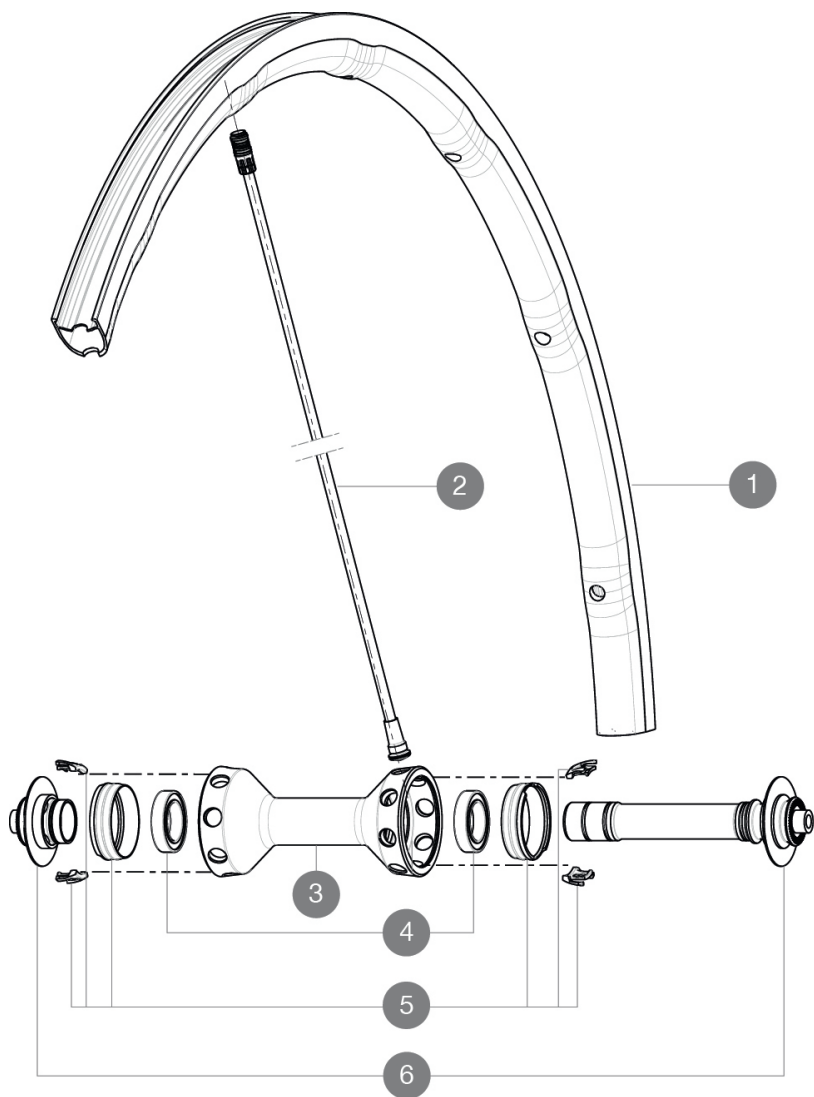
23mm 8.7 bars - 125 psi, 25mm 7.7 bars - 110 psi

Max. Pressure: 25mm 7.7 bars - 110 PSI

## 参照ホイール

F34201 R-Sys SLR16Ft

F70891 R-Sys SLR Ft Limited



## RIMS



バルブ穴径 (MM) : 6.5 :

1	V2405310	Kit Frt Rim R-SysSLR Ltd
1	A7199710	KIT FRONT RIM R-SYS SLR 2015

## SPOKES

2	V2270201	R-SYS SLR 15 CARB TUB SPOKE 282,7mm - while stock last
2	V2273001	Kit 2 Spokes 282.7 R-SysSLRLtd
2	V4161301	Kit 10 front/rear Rsys spokes 282,7mm from 2020
5	99693801	2 SILVER TRACOMP RINGS + CLIPS

## HUB SHELLS

3	N/A	HUB BODY
4	10567901	BEARING KIT R-SYS SL FRONT
6	10846901	FRONT AXLE KIT R-SYS SL

## 付属品

BR601 quick releases	
BR601 quick releases	
BR601 quick releases	
BR601 quick releases	
BR601 quick releases	
Exalith brake pads	
Exalith brake pads	
Exalith brake pads	
Exalith brake pads	
Exalith brake pads	
Exalith brake pads	
Exalith brake pads	
Computer magnet (front wheel)	
Multifonction adjustment wrench	
Tracomp ring tool	
Computer magnet (front wheel)	
Computer magnet (front wheel)	
Computer magnet (front wheel)	
Computer magnet (front wheel)	
Computer magnet (front wheel)	
User guide	

## COMPATIBILITY

Freewheel: Shimano/Sram, convertible to Campagnolo with optional driver body	
Freewheel: Shimano/Sram, convertible to Campagnolo with optional driver body	
Freewheel: Shimano/Sram, convertible to Campagnolo with optional driver body	
Freewheel: Shimano/Sram, convertible to Campagnolo with optional driver body	
Front axle: Quick Release only	
Front axle: Quick Release only	
Front axle: Quick Release only	
Front axle: Quick Release only	
Rear axle: Quick Release only	
Rear axle: Quick Release only	
Rear axle: Quick Release only	
Rear axle: Quick Release only	