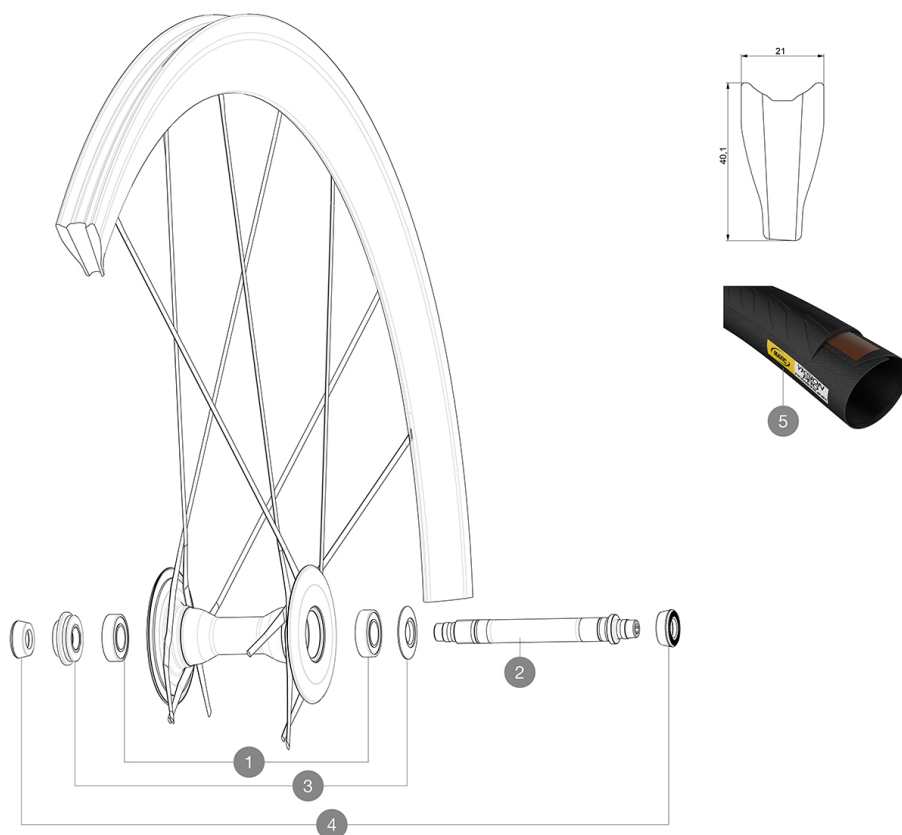


ASTM CATEGORY 1 : road only

For a longer longevity of the wheel, Mavic recommends that the total weight supported by the wheels doesn't exceed 120kg, bike included

参照ホイール

F33301 CosmicUlti16Ft



HUB SHELLS

| | | |
|---|----------|--------------------------------------------------|
| 1 | M40078 | FRONT HUB 6901 BEARINGS |
| 2 | 36645801 | FRONT AXLE COS.CARBONE ULTIMATE from 2014 |
| 3 | 36645901 | FRONT ADJUST.NUT+CAP COS.CARB.ULTIMATE from 2014 |

TYRES

| | | |
|---|----------|------------------------------------|
| 5 | 37804425 | Yksion Pro GripLink Tubular SSC 25 |
|---|----------|------------------------------------|

ADAPTERS

| | | |
|---|----------|----------------------------------------|
| 4 | 35117301 | FRONT OR REAR FORK REST KIT R-SYS 2013 |
|---|----------|----------------------------------------|

MAVIC Cosmic Ultimate

付属品

| | |
|---------------------------------|--|
| BR601 Titanium quick releases | |
| Carbon brake pads | |
| Multifonction adjustment wrench | |
| User guide | |

Specifications

リム

- Material : 100% woven 12K carbon fiber
- Height : 40 mm
- Drilling : no holes, spokes molded to the rim
- Brake track : carbon with TgMAX technology
- Valve hole diameter : 6.5 mm
- Tyre : tubular
- ETRTO size : 28" tubular
- Recommended tyre sizes : 21 to 28 mm

スポーク

- Material : unidirectional carbon fiber
- Shape : R2R
- Nipples : brass, ABS
- Count : 20 front and rear
- Lacing : crossed 2 front and rear drive side, radial non drive side

ホイールハブ

- Front body : Front 100% carbon
- Rear body : aluminum
- Axle material : aluminum
- Adjustable sealed cartridge bearings
- Freewheel : FTS-L steel

ホイールの重み

ホイール重量 (クイックリリースおよびクリンチャー/チューブラーを除く) (g) : 520