

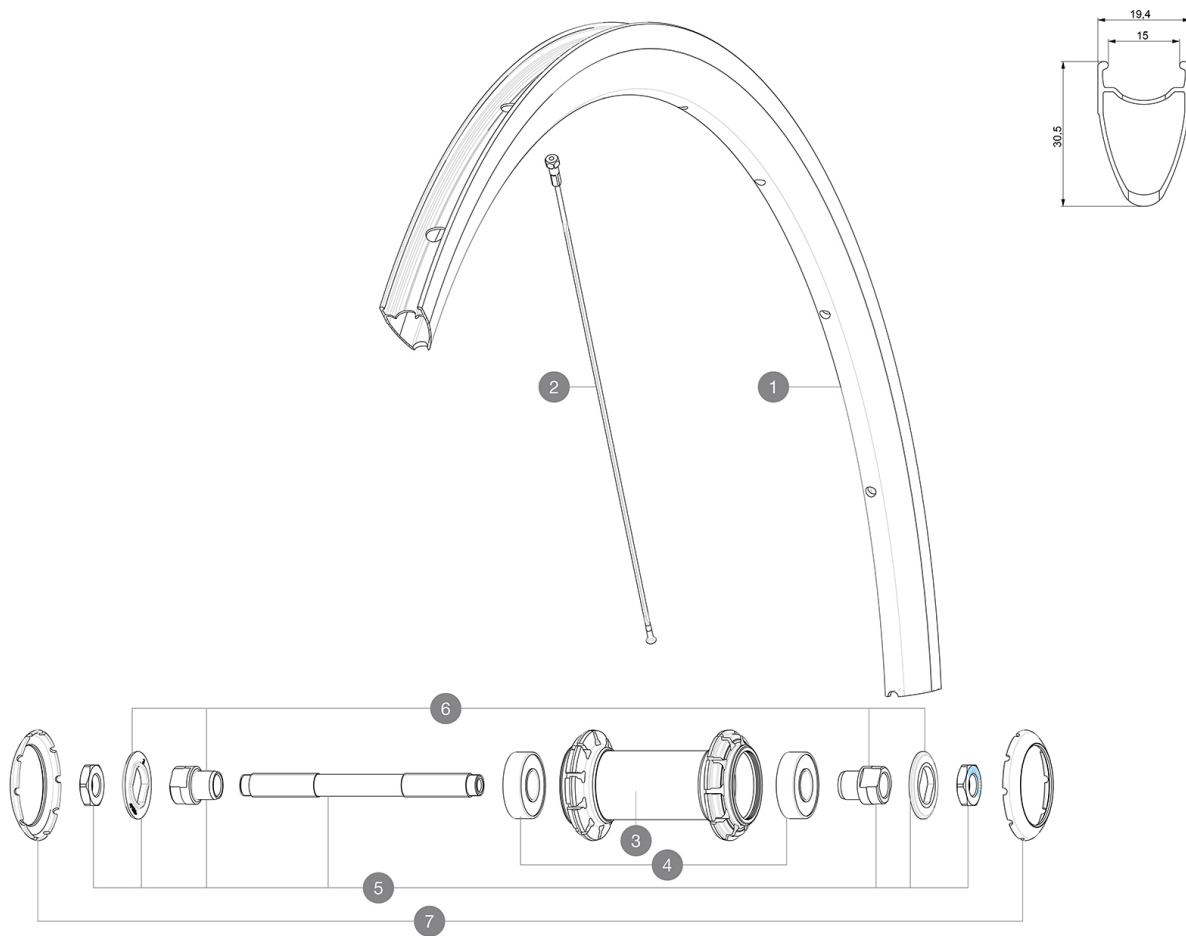


Cosmic Elite

ASTM CATEGORY 2 : road and offroad with jumps less than 15cm
 For a longer longevity of the wheel, Mavic recommends that the total weight supported by the wheels doesn't exceed 120kg, bike included
 Recommended tyre sizes: 21 to 32 mm
 Max. Pressure: 23mm 8.7 bars - 125 psi

参照ホイール

F34001 CosmicElite16Ft



RIMS



Ä □ □ Ä □ « Ä □ □ Ç © ' Ä % □ ï % □ MM ï ' % □ ï % □ 6,5 :

1	V2732615	KIT FRONT/REAR RIM COSMIC ELITE UST
1	12017315	KIT FRONT/REAR COSMIC ELITE RIM - while stock last

SPOKES

2	36644801	10 BLK AERO SPOKES FRONT/NON DRIVE SIDE COSMIC ELITE 276mm
---	----------	--

HUB SHELLS

3	N/A	HUB BODY
4	M40318	HUB BEARING KIT 6001
5	99603801	SHORT EXPENSIBLE BEARING SUPPORTS > 2008
6	99603701	FRONT AXLE QRM ROAD 2008
7	12034401	KIT 3 HUB CAPS AERO 10 SLOTS BLACK



Cosmic Elite

付属品

BR101 quick releases	
Rim tape	
BR101 quick releases	
User guide	
Rim tape	
User guide	

COMPATIBILITY

Freewheel: Shimano/Sram, convertible to Campagnolo with optional driver body	
Front axle: Quick Release only	
Rear axle: Quick Release only	

Specifications

リム

- Material : S6000 Aluminum
- Height : 30 mm
- Joint : SUP
- Drilling : traditional
- Brake track : UB Control
- Valve hole diameter : 6.5 mm
- Tyre : clincher
- Material : S6000 Aluminum
- ETRTO size : 622x15C
- Recommended tyre sizes : 21 to 32 mm
- Height : 30 mm
- Joint : SUP
- Drilling : traditional
- Brake track : UB Control
- Valve hole diameter : 6.5 mm
- Tyre : clincher
- Internal width : 15mm
- ETRTO size : 622x15C

スポーク

- Material : steel
- Shape : straight pull, bladed
- Nipples : brass, ABS
- Count : 20 front and rear
- Material : steel
- Lacing : radial front and rear non-drive side, crossed 2 rear drive side
- Shape : straight pull, bladed
- Nipples : steel, ABS
- Count : 20 front and rear
- Lacing : radial front and rear non-drive side, crossed 2 rear drive side

ホイールハブ

- Front and rear bodies : aluminum
- Axle material : steel
- Sealed cartridge bearings
- Freewheel : FTS-L steel
- Front and rear bodies : aluminum
- Axle material : steel
- Sealed cartridge bearings
- Freewheel : FTS-L steel

VERSIONS

- Color : Black only

ホイールの重み

ホイール重量 (クイックリリースおよびクリンチャー/チューブラーを除く) (g) : 815