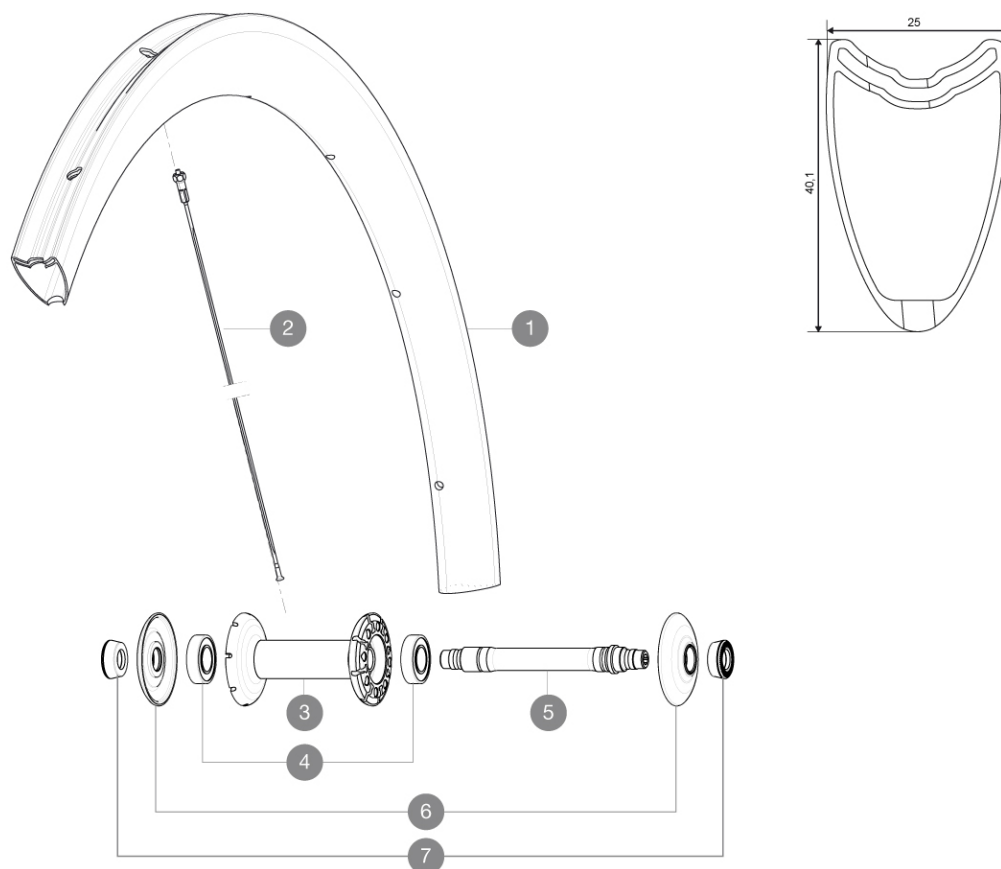


ASTM CATEGORY 2 : road and offroad with jumps less than 15cm  
For a longer longevity of the wheel, Mavic recommends that the total weight supported by the wheels doesn't exceed 120kg, bike included

## 参照ホイール

F33501 CosmicCarb40TFt



### RIMS



バルブ穴径 (MM) : 6,5 :

1	36645510	FRONT RIM CC 40 T
---	----------	-------------------

### SPOKES

2	36645101	10 BLK AERO SPOKES FRONT/NON DRIVE SIDE CC 40 T 272mm
---	----------	---

### HUB SHELLS

3	N/A	HUB BODY
4	M40078	FRONT HUB 6901 BEARINGS
5	30870001	FRONT AXLE ROAD RIM BRAKING QRM +
6	32985701	HUB CAP & ADJUST.NUT CXR 80

### ADAPTERS

7	35117301	FRONT OR REAR FORK REST KIT R-SYS 2013
---	----------	--



# Cosmic Carbone 40 T

## 付属品

BR601 quick releases	
Carbon brake pads	
Multifonction adjustment wrench	
User guide	

## Specifications

### リム

- Material : 100% Unidirectional carbon fiber
- Height : 40 mm
- Drilling : traditional
- Brake track : carbon
- Valve hole diameter : 6.5 mm
- Tyre : tubular
- ETRTO size : 28" tubular
- Recommended tyre sizes : 21 to 32 mm

### スポーク

- Material : steel
- Shape : straight pull, bladed, double butted
- Nipples : brass, ABS
- Count : front 16, rear 20
- Lacing : radial front and rear non-drive side, crossed 2 rear drive side

### ホイールハブ

- Front and rear bodies : carbon center tube and aluminum flanges
- Axle material : aluminum
- Adjustable sealed cartridge bearings
- Freewheel : FTS-L steel

### ホイールの重み

ホイール重量 ( クイックリリースおよびクリンチャー/チューブラーを除く ) ( g ) : 635