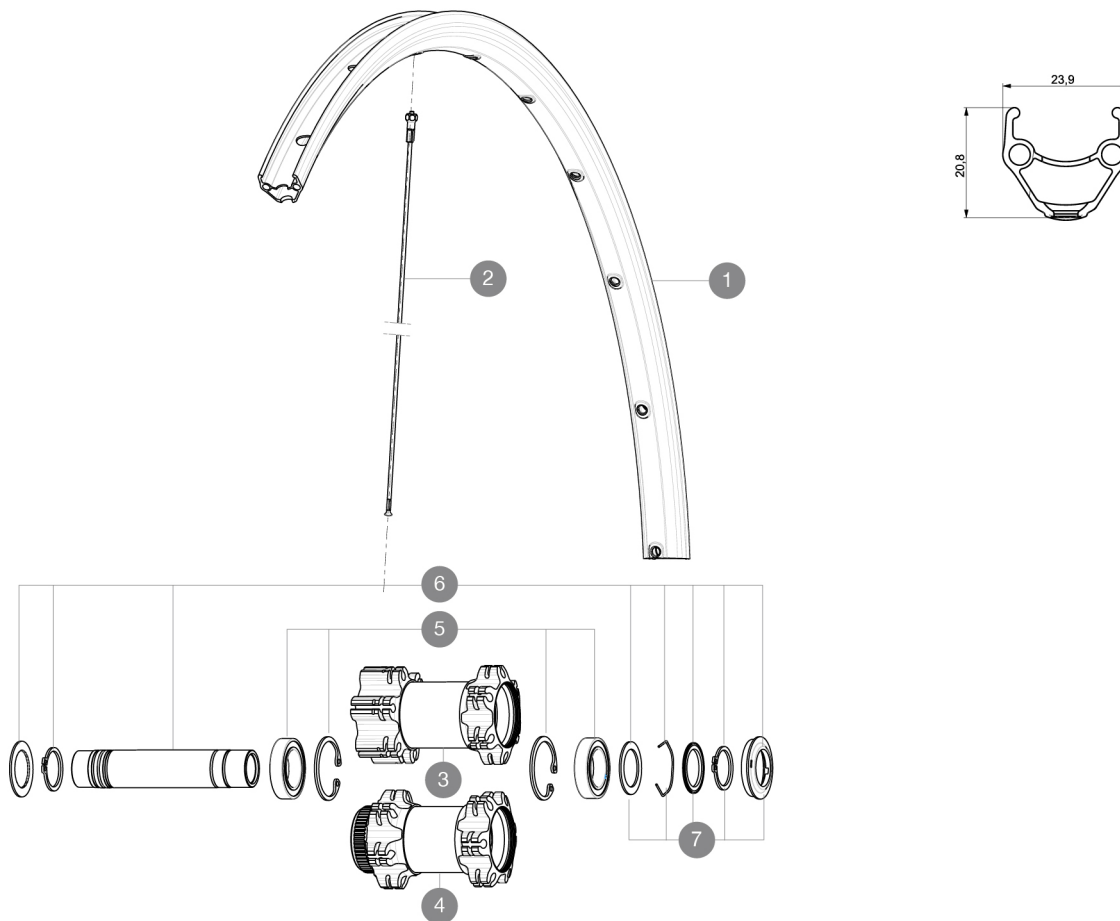


ASTM CATEGORY 2 : road and offroad with jumps less than 15cm
 For a longer longevity of the wheel, Mavic recommends that the total weight supported by the wheels doesn't exceed 120kg, bike included
 Recommended tyre sizes: 25 to 52 mm

参照ホイール

F35501 AksiumDiscCL16Ft F35201 AksDiscINT16Ft



RIMS



Á□□Á□«Á□□Ç©'Á%□í¼□MMí¼□í¼□6,5 :

1	V2290815	KIT FRONT/REAR RIM AKSIUM ONE DISC
---	----------	------------------------------------

SPOKES

2	36690301	"12 SPOKES FRONT/OPP DRIVE SIDE CROSSONE 29"" 296mm"
---	----------	--

HUB SHELLS

3	N/A	HUB BODY
4	N/A	HUB BODY
5	99688501	BEARING KIT 9/15 D6T HUB
6	V2371101	KIT FRONT QRM AXLE 100mm/BOOST 110mm
6	V2370101	KIT FRONT AXLE 15MM CROSSONE/-RIDE/-ROC - while stock last
7	V2370301	FRONT AUTO ADJUST.PLAY KIT 15MM AXLE

MAVIC Aksium Disc

付属品

BR101 quick releases	
Rim tape	
Front QR adapters	
BR101 quick releases	
User guide	
Front QR adapters	
Rim tape	
User guide	

Specifications

リム

- Material : S6000 Aluminum
- Height : 21 mm
- Joint : pinned
- Drilling : traditional with H2 reinforcement
- Disc brake specific profile
- Valve hole diameter : 6.5 mm
- Tyre : clincher
- Material : S6000 Aluminum
- Height : 21 mm
- ETRTO size : 622x17C
- Recommended tyre sizes : 25 to 52 mm
- Joint : pinned
- Drilling : traditional with H2 reinforcement
- Disc brake specific profile
- Valve hole diameter : 6.5 mm
- Tyre : clincher
- ETRTO size : 622x17C

スポーク

- Material : steel
- Shape : straight pull, round
- Nipples : brass, ABS
- Count : 24 front and rear
- Lacing : front and rear crossed 2
- Material : steel
- Shape : straight pull, round
- Nipples : steel, ABS
- Count : 24 front and rear
- Lacing : front and rear crossed 2

ホイールハブ

- Front and rear bodies : aluminum
- Axle material : front aluminum, rear steel
- Sealed cartridge bearings
- Freewheel : FTS-L steel
- Front and rear bodies : aluminum
- Front : convertible to 15mm through axle
- Axle material : front aluminum, rear steel
- Sealed cartridge bearings
- Freewheel : FTS-L steel
- Front : convertible to 15mm through axle

ホイールの重み

ホイール重量 (クイックリリース
スおよびクリンチャー/チュー
ブラーを除く) (g) : 890