

ASTM CATEGORY 1 : road only

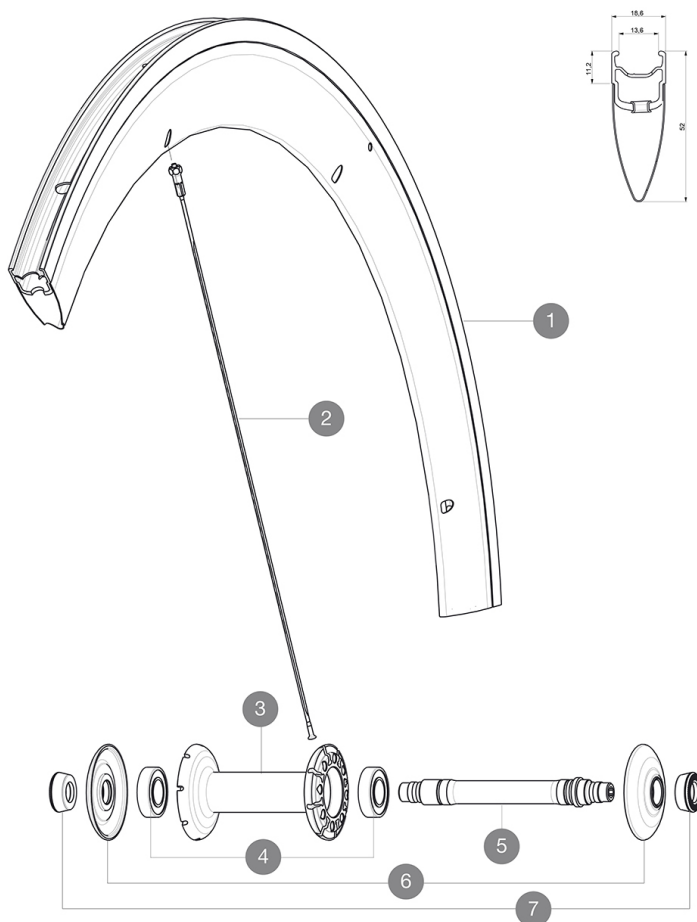
For a longer longevity of the wheel, Mavic recommends that the total weight supported by the wheels doesn't exceed 120kg, bike included

参照ホイール

F34101 CosmicProCarbFt White

F34102

CosmicProCarbFt Black



RIMS



バルブ穴径 (MM) : 6,5 :

1 V2402610 KIT BLACK FRONT RIM COSMIC PRO CARBON

SPOKES

2 36644501 10 BLK AERO SPOKES FRONT/NON DRIVE SIDE CC SLS 289mm

HUB SHELLS

3 N/A HUB BODY
4 M40078 FRONT HUB 6901 BEARINGS
5 30870001 FRONT AXLE ROAD RIM BRAKING QRM +
6 32985701 HUB CAP & ADJUST.NUT CXR 80

ADAPTERS

7 35117301 FRONT OR REAR FORK REST KIT R-SYS 2013



Cosmic Pro Carbon

付属品

BR301 quick releases	
Rim tape	
Multifonction adjustment wrench	
User guide	

Specifications

リム

- Material : Maxtal and 12K carbon fiber
- Height : 52 mm
- Joint : SUP
- Drilling : traditional
- Brake track : UB Control
- Weight reduction : ISM
- Valve hole diameter : 6.5 mm
- Tyre : clincher
- ETRTO size : 622x13C
- Recommended tyre sizes : 21 to 28 mm

スポーク

- Material : steel
- Shape : straight pull, bladed
- Nipples : brass, ABS
- Count : front 16, rear 20
- Lacing : radial front and rear non-drive side, crossed 2 rear drive side

ホイールハブ

- Front and rear bodies : aluminum
- Axle material : aluminum
- Adjustable sealed cartridge bearings
- Freewheel : FTS-L steel

ホイールの重み

ホイール重量 (クイックリリース
スおよびクリンチャー/チュー
ブラーを除く) (g) : 765