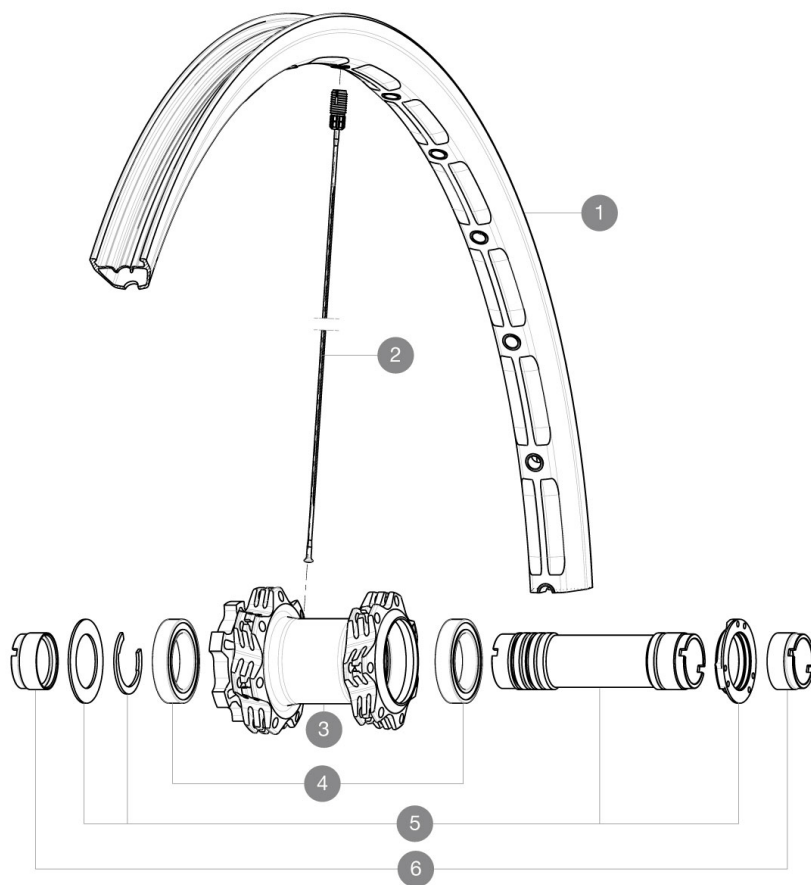


For a longer longevity of the wheel, Mavic recommends that the total weight supported by the wheels doesn't exceed 120kg, bike included
ETRTO recommended tyre sizes: 35mm to 69mm (1.4" to 2.7")

参照ホイール

F42001 DmaxUlti16F126

R67701 DmaxUlti16Rr 26 12x150



RIMS



バルブ穴径 (MM) : 6,5 :

1	99691910	FRONT RIM DEEMAX ULTIMATE YELLOW
---	----------	----------------------------------

SPOKES

2	30863801	14 SPOKES M7/7 DEEMAX ULTIMATE 12 FRONT 271mm
---	----------	---

HUB SHELLS

3	N/A	HUB BODY
4	M40179	FRONT BEARING 25x37x7 20mm AXLE
5	30870501	FRONT AXLE 20mm CROSSMAX ST/SX + DEEMAX ULTI 2012

ADAPTERS

6	12982901	20mm adapter for Crossmax ST/SX (front wheel)
---	----------	---



Deemax

付属品

UST valve and accessories	
Rear QR adapters	
Multifunction adjustment wrench	
User guide	
12x157mm adaptors (308 593 01 for ITS4)	
UST valve and accessories	
Multifunction adjustment wrench	
User guide	
12x157mm adaptors (308 593 01 for ITS4)	

COMPATIBILITY

Freewheel: Shimano/Sram, convertible to XD with optional driver body	
Front axle: 20mm, convertible to 15mm thru axle with optional adapters	
Rear axle: 12mm thru axle, convertible to Quick Release with optional adapters	

Specifications

リム

- Material : Maxtal
- Joint : SUP
- Drilling : Fore
- Disc brake specific profile
- Weight reduction : ISM with central spine
- Valve hole diameter : 6.5 mm
- Tyre : UST Tubeless and tubetype
- Material : Maxtal
- Internal width : 21 mm
- ETRTO size 26" : 559x21C
- ETRTO recommended tyre sizes : 35mm to 69mm (1.4" to 2.7")
- Joint : SUP
- Drilling : Fore
- Disc brake specific profile
- Weight reduction : ISM with central spine
- Valve hole diameter : 6.5 mm
- Tyre : UST Tubeless and tubetype
- Internal width : 21 mm
- ETRTO size 26" : 559x21C

スポーク

- Material : steel
- Shape : straight pull, bladed
- Nipples : Fore integrated aluminum
- Count : front 28, rear 32
- Material : steel
- Lacing : front and rear crossed 3
- Shape : straight pull, bladed
- Nipples : Fore integrated aluminum
- Count : front 28, rear 32
- Lacing : front and rear crossed 3

ホイールハブ

- Front and rear bodies : aluminum
- Axle material : aluminum
- Adjustable sealed cartridge bearings
- Freewheel : ITS-4 alloy
- Front and rear bodies : aluminum
- Shimano 11 speeds compatible
- Axle material : aluminum
- Sram XD Compatible (XX1-X01) with optionnal kit
- Adjustable sealed cartridge bearings
- Freewheel : ITS-4 alloy

VERSIONS

- Color : Black only
- Disc standard : 6 Bolts only

ホイールの重み

- ホイール重量 (クイックリリースおよびクリンチャー/チューブラーを除く) (g) :
- Weight Front 26": 910
- Weight Front 27.5": 930